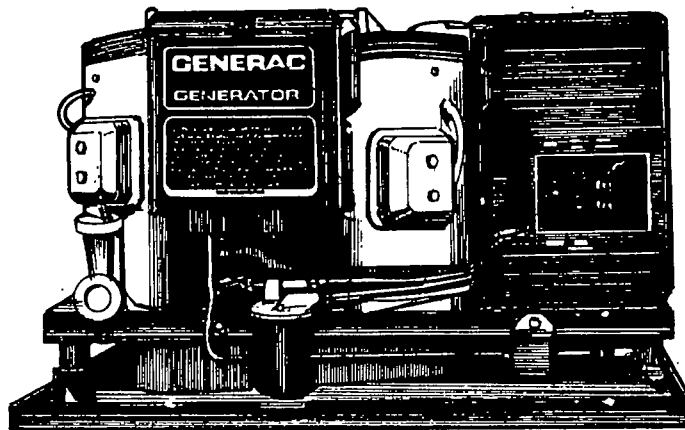


# DIAGNOSTIC REPAIR Manual

---

## MOBILE GENERATORS

IM, NP and Q-Series  
with Engine Controller Circuit Board 92234



# GENERAC

---

P. O. Box 8  
PHONE: (414) 544-4811

Waukesha, WI 53187  
FAX: (414) 544-4851

---

# Foreword

## **PURPOSE OF MANUAL:**

This Service Manual has been written and published by Generac Corporation to aid our Dealers' mechanics and company service personnel in the maintenance, servicing, troubleshooting and repair of the products described herein. All information, illustrations and specifications are based on the latest product information available at the time of publication.

Proper service and repair is important to the safe, economical and reliable operation of all recreational vehicle and industrial mobile generators. Troubleshooting, testing and servicing procedures recommended by Generac and described in this manual are effective methods of performing such operations. Some of these operations or procedures may require the use of specialized equipment. Such equipment should be used when and as recommended.

Generac could not possibly know of and advise the generator service trade of all conceivable procedures by which a service or repair might be performed or of the possible hazards and/or results of each method. We have not undertaken any such wide evaluation. Therefore, anyone who uses a service procedure, method or tool not recommended by Generac must first completely satisfy himself that neither his nor the product's safety will be endangered by the procedure or method selected.

## **USER'S RESPONSIBILITY:**

It is assumed that service personnel are familiar with the servicing procedures of these products or like or similar products manufactured and marketed by Generac. It is further assumed that such personnel have been trained in the recommended servicing procedures for these products; and that such training includes the use of mechanic's common hand tools, special Generac tools, and tools from other suppliers.

## **SAFETY:**

When working on this product, it must be remembered that the generator AC electrical system produces high and dangerous voltages that can cause severe electrical shock. Contact with high voltage terminals, bare wires, etc., can result in dangerous and even fatal injury.

To prevent accidental engine cranking and startup, always disconnect battery cables before working on or around the generator.

Cover all openings into the engine-generator, to prevent entry of foreign materials. Such materials could enter the engine cylinders and cause extensive damage when the engine is started.

It is important to note that the manual contains various DANGER, CAUTION and NOTE blocks. These should be read carefully in order to minimize the risk of personal injury or to prevent methods or practices from being used which could damage equipment or render it unsafe.

## **FASTENERS:**

Replacement fasteners must have the same measurements and strength as the fasteners they will replace. Numbers on the heads of metric bolts and on surfaces of metric nuts indicate their strength. Customary nuts do not have strength markings. Mismatched or incorrect fasteners can cause damage, equipment malfunction or possible injury.

## **REPLACEMENT PARTS:**

Many parts used on recreational vehicle generators and engines are designed and manufactured to comply with rules and regulations established by the Recreational Vehicle Industry Association (RVIA), American National Standards Institute (ANSI), and the National Fire Protection Association (NFPA). Strict compliance with such rules and regulations help to minimize the risk of fire or an explosion. Use of any replacement part that does not comply with such rules and regulations could result in fire or explosion hazard and should be avoided.

# APPLICABLE MODELS & SPECIFICATIONS

MODEL	SERIES	WATTS	VOLTS**	AMPS†	HERTZ	ROTOR RPM	ENGINE RPM	AIR OUTLET	EXHAUST	WIRING DIAGRAM
9202-1	NP	5200	120/240	43/22	60	3600	2300	Bottom out	Bottom out	89405
9203-1	NP	6600	120/240	55/27	60	3600	2700	Bottom out	Bottom out	89405
9204-1	NP	7200	120/240	60/30	60	3600	2900	Bottom out	Bottom out	89405
9205-1	NP	6600	120/240	43/22	60	3600	2300	Bottom out	Out-the-side	89405
9206-1	NP	6600	120/240	55/27	60	3600	2700	Bottom out	Out-the-side	89405
9207-1	NP	6600	120/240	55/27	60	3600	2300	Bottom out	Out-the-side	89405
9290-2	NP	5000	120/240	41/20	50	3000	2300	Bottom out	Bottom out	93924
9509-2	NP	6600	120/240	55/27	60	3600	2700	Bottom out	Out-the-side	90206
9592-1	Q	5500	120/240	46/23	60	3600	2570	Bottom out	Universal	92116
9592-2	Q	5500	120/240	46/23	60	3600	2570	Bottom out	Universal	92116
9593-0	Q	7000	120/240	58/29	60	3600	2570	Bottom out	Universal	82116
9593-1	Q	7000	120/240	58/29	60	3600	2570	Bottom out	Universal	92116
9593-2	Q	7000	120/240	58/29	60	3600	2570	Bottom out	Universal	92116
9600-0	NP	6600	120/240	55/27	60	3600	2700	Bottom out	Universal	92116
9600-1	NP	6600	120/240	55/27	60	3600	2700	Bottom out	Universal	92116
9600-2	NP	6600	120/240	55/27	60	3600	2700	Bottom out	Universal	92116
9677-1	NP	7200	120/240	60/30	60	3600	2900	Bottom out	Universal	92116
9677-2	Q	7000	120/240	58/29	60	3600	2570	Bottom out	Universal	92116
9677-3	Q	7000	120/240	58/29	60	3600	2570	Bottom out	Universal	92116
9677-4	Q	7000	120/240	58/29	60	3600	2570	Bottom out	Universal	92116
9712-0‡	NP	5000	120/240	41/20	60	3600	2751	Bottom out	Universal	92116
9712-1‡	NP	5000	120/240	41/20	60	3600	2751	Bottom out	Universal	92116
9734-1*	NP	6600	120/240	55/27	60	3600	2700	Bottom out	Universal	92116
9735-1*	Q	5500	120/240	46/23	60	3600	2570	Bottom out	Universal	92116
9736-1	Q	7000	120/240	58/29	60	3600	2570	Bottom out	Universal	92116

\* Unit is equipped with an LP Gas fuel system.

\*\* Units are generally shipped from the factory connected for single voltage AC output (120 VAC). However, they can be reconnected for dual voltage AC output (120 and/or 240 VAC).

† Current values listed are at 120 VAC and at 240 VAC (120/240).

‡ Models 9712-0 and 9712-1 are powered by a single cylinder GN-360 engine. All other units are powered by a V-Twin engine.

# TABLE OF CONTENTS

## Chapter 1- AC GENERATOR FUNDAMENTALS

Magnetism and Electricity .....	Page 3
Magnetic Induction .....	Page 3
A Simple AC Generator .....	Page 3
A More Sophisticated Generator .....	Page 3
"NP" and "Q" Series Generators .....	Page 4
Field Boost.....	Page 5
Generator AC Connection System .....	Page 5

## Chapter 2- MAJOR GENERATOR COMPONENTS

Lower Bearing Carrier .....	Page 7
Rotor Assembly .....	Page 7
Stator Assembly.....	Page 7
Upper Bearing Carrier .....	Page 7
Brush Holder .....	Page 7
Battery Charge Components.....	Page 8
Excitation Circuit Components.....	Page 8

## Chapter 3- INSULATION RESISTANCE TESTS

Effects of Dirt and Moisture.....	Page 9
Insulation Resistance Testers.....	Page 9
Drying the Generator.....	Page 9
Cleaning the Generator.....	Page 9
Stator Insulation Resistance .....	Page 10
Testing Rotor Insulation .....	Page 10
The Megohmmeter .....	Page 11

## Chapter 4- MEASURING ELECTRICITY

Meters.....	Page 13
The VOM.....	Page 13
Measuring AC Voltages.....	Page 13
Measuring DC Voltage.....	Page 13
Measuring AC Frequency .....	Page 13
Measuring Current.....	Page 14
Measuring Resistance.....	Page 14

## Chapter 5- ENGINE DC CONTROL SYSTEM

Introduction .....	Page 15
Operational Analysis .....	Page 15
Engine Controller Circuit Board .....	Page 16
Battery .....	Page 17
15 Amp Fuse.....	Page 17
Fuel Primer Switch.....	Page 18
Start-Stop Switch .....	Page 18
Starter Contactor & Motor.....	Page 18

## Chapter 6- TROUBLESHOOTING FLOW CHARTS

Introduction .....	Page 19
If Problem Involves AC Generator .....	Page 19
Problem 1- Voltage & frequency Are Both High or Low .....	Page 19
Problem 2- Frequency Good But Voltage Low or Residual .....	Page 19, 20
Problem 3- Frequency and Voltage Both Read Zero.....	Page 20, 21
Problem 4- Excessive Voltage/Frequency Droop When Load Is Applied .....	Page 21
Problem 5- Priming Function Does Not Work .....	Page 21
Problem 6- Engine Will Not Crank .....	Page 22
Problem 7- Engine Cranks But Won't Start .....	Page 23
Problem 8- Engine Starts Hard and Runs Rough.....	Page 24
Problem 9- Engine Starts and Then Shuts Down .....	Page 25

## Chapter 7- DIAGNOSTIC TESTS

Introduction .....	Page 27
Test 1- Check No-Load Voltage and Frequency .....	Page 27
Test 2- Check Engine Governor.....	Page 27-30
Test 3- Fixed Excitation Test.....	Page 30
Test 4- Check Brush Leads .....	Page 30
Test 5- Test Excitation Circuit Breaker .....	Page 31
Test 6- Test Stator DPE Winding .....	Page 31, 32
Test 7- Test Brushes & Slip Rings.....	Page 32
Test 8- Check Sensing Leads.....	Page 32
Test 9- Check Field Boost.....	Page 33
Test 10- Check/Adjust Voltage Regulator..	Page 33, 34
Test 11- Check Rotor Assembly .....	Page 34
Test 12- Check Stator Power Windings .....	Page 34, 35
Test 13- Check Main Circuit Breakers .....	Page 35
Test 14- Test Main Circuit Breakers .....	Page 35
Test 15- Check Load Voltage & Frequency .....	Page 36
Test 16- Check Load Watts & Amperage .....	Page 36
Test 17- Check Engine Power .....	Page 36
Test 18- Try Cranking the Engine .....	Page 36
Test 19- Test Primer Switch .....	Page 36
Test 20- Check Fuel Pump.....	Page 37
Test 21- Check 15 Amp Fuse.....	Page 37
Test 22- Check Battery & Cables .....	Page 37
Test 23- Check Power Supply to Circuit Board .....	Page 37
Test 24- Check Start-Stop Switch.....	Page 38
Test 25- Check Power Supply to Wire 56....	Page 38
Test 26- Check Starter Contactor .....	Page 38
Test 27- Check Starter Motor .....	Page 39
Test 28- Check Fuel Supply.....	Page 39
Test 29- Check Wire 14 Power Supply .....	Page 39
Test 30- Test Fuel Pump .....	Page 39
Test 31- Check Fuel Solenoid .....	Page 39, 40
Test 32- Check Ignition Spark .....	Page 40
Test 33- Check Spark Plug .....	Page 40
Test 34- Check Ignition Power Supply .....	Page 40, 41
Test 35- Test Ignition System.....	Page 41
Test 36- Check Carburetion.....	Page 41
Test 37- Check Choke Operation .....	Page 42
Test 38- Check Engine .....	Page 42, 43
Test 39- Check Oil Pressure Switch .....	Page 43, 44
Test 40- Test Oil Temperature Switch .....	Page 44

## Chapter 8- ASSEMBLY (V-TWIN ENGINE UNITS)

General.....	Page 45
Sheet Metal .....	Page 45
Air Cleaner, Carburetor & Choke .....	Page 45
AC Generator.....	Page 45
Control Panel.....	Page 45
Mounting Base and Pulleys.....	Page 45

## Chapter 9- ASSEMBLY (1-CYLINDER UNITS)

General.....	Page 55
Sheet Metal .....	Page 55
Air Cleaner, Carburetor & Choke .....	Page 55
AC Generator.....	Page 55
Control Panel.....	Page 55
Mounting Base and Pulleys.....	Page 55

## Chapter 10- ELECTRICAL DATA

# Chapter One- AC GENERATOR FUNDAMENTALS

## Magnetism and Electricity

It has been known for some time that a relationship exists between magnetism and electricity. The "NP" and "Q" series recreational vehicle generators depend on this relationship for their operation. If the service technician is to properly diagnose and repair these units, he must understand this relationship.

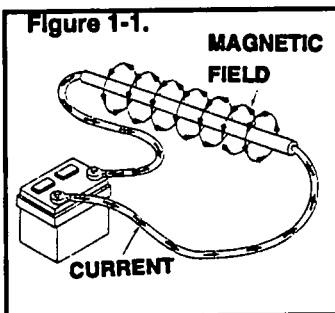
## Magnetic Induction

When a magnetic field is moved so that its lines of magnetic flux cut across a wire or a coil of wires, an electromotive force or EMF is induced into the wire or coil. The terms "EMF" and "voltage" may be used interchangeably.

If the ends of the wire or coil are connected to form a complete circuit, current will flow through the conductor. The following rules apply:

1. The direction in which the current flows will depend on the polarity of the magnetic field.
2. The amount of voltage induced into the wire depends on the strength of the magnetic field. That is, the stronger or more concentrated the lines of magnetic flux, the greater the voltage.

When current flows through a conductor, a magnetic field is created around the conductor. The strength of the magnetic field depends on (a) the amount of current flow and (b) the number of turns or loops in the conductor. The polarity of the magnetic field depends on the direction of current flow through the wire.



From the above, it is clear that the stronger the magnetic field the greater the voltage induced into the conductor. Additionally, it is apparent that the greater the current flow through the conductor the stronger the magnetic field around that wire. The following rules then apply:

1. If the current flow through a conductor can be regulated, the strength of the magnetic field around the conductor can be regulated.
2. If the strength of the magnetic field can be regulated, the voltage induced by the magnetic field can be regulated.

## A Simple AC Generator

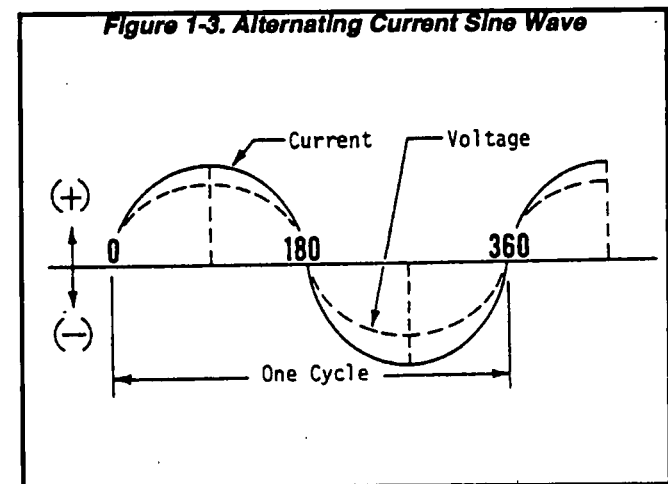
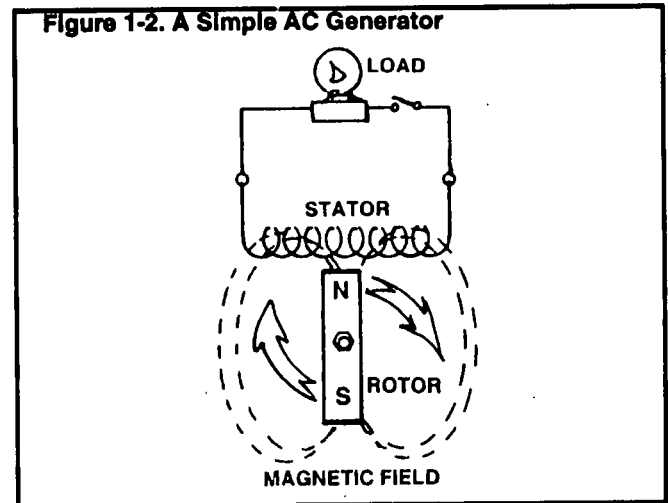
Figure 1-2 shows a very simple AC Generator. The generator consists of a rotating magnetic field called a ROTOR and a stationary coil of wire called a STATOR. The ROTOR is a permanent magnet which consists of a SOUTH magnetic pole and a NORTH magnetic pole.

As the ROTOR turns, its magnetic field cuts across the stationary STATOR. A voltage is induced into the STATOR windings. When the magnet's NORTH pole passes the STATOR, current flows in one direction. Current flows in the opposite direction when the magnet's SOUTH pole passes the STATOR. This constant reversal of current flow results in an alternating current (AC)

waveform that can be diagrammed as shown in Figure 1-3.

The ROTOR may be a 2-pole type having a single NORTH and a single SOUTH magnetic pole. Some ROTORS are 4-pole type with two SOUTH and two NORTH magnetic poles. The following apply:

1. The 2-pole ROTOR must be turned at 3600 rpm to produce an AC frequency of 60 Hertz, or at 3000 rpm to deliver an AC frequency of 50 Hertz.
2. The 4-pole ROTOR must operate at 1800 rpm to deliver a 60 Hertz AC frequency or at 1500 rpm to deliver a 50 Hertz AC frequency.



## A More Sophisticated AC Generator

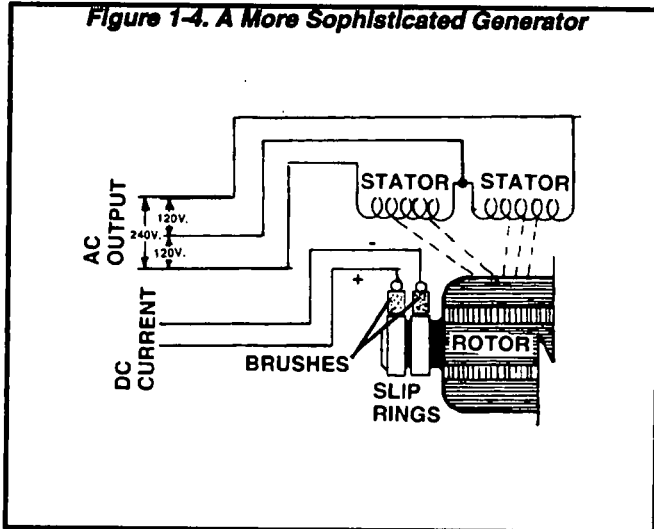
Figure 1-4 (next page) represents a more sophisticated generator. A regulated direct current is delivered into the ROTOR windings via carbon BRUSHES AND SLIP RINGS. This results in the creation of a regulated magnetic field around the ROTOR. As a result, a regulated voltage is induced into the STATOR. Regulated current delivered to the ROTOR is called "EXCITATION" current.

# Chapter One- AC GENERATOR FUNDAMENTALS

## A More Sophisticated Generator (Continued)

**NOTE:** AC output frequency at 3720 rpm will be about 62 Hertz. The "No-Load" speed is set slightly high to prevent excessive rpm, frequency and voltage droop under heavy electrical loading.

Figure 1-4. A More Sophisticated Generator



Generator operation may be described briefly as follows:

1. Some "residual" magnetism is normally present in the Rotor and is sufficient to induce approximately 7 to 12 volts AC into the STATOR's AC power windings.

2. During startup, an engine controller circuit board delivers battery voltage to the ROTOR, via the brushes and slip rings.

a. The battery voltage is called "Field Boost".

b. Flow of direct current through the ROTOR increases the strength of the magnetic field above that of "residual" magnetism alone.

3. "Residual" plus "Field Boost" magnetism induces a voltage into the Stator excitation (DPE), battery charge and AC Power windings.

4. Excitation winding unregulated AC output is delivered to an electronic voltage regulator, via an excitation circuit breaker.

a. A "Reference" voltage has been preset into the Voltage Regulator.

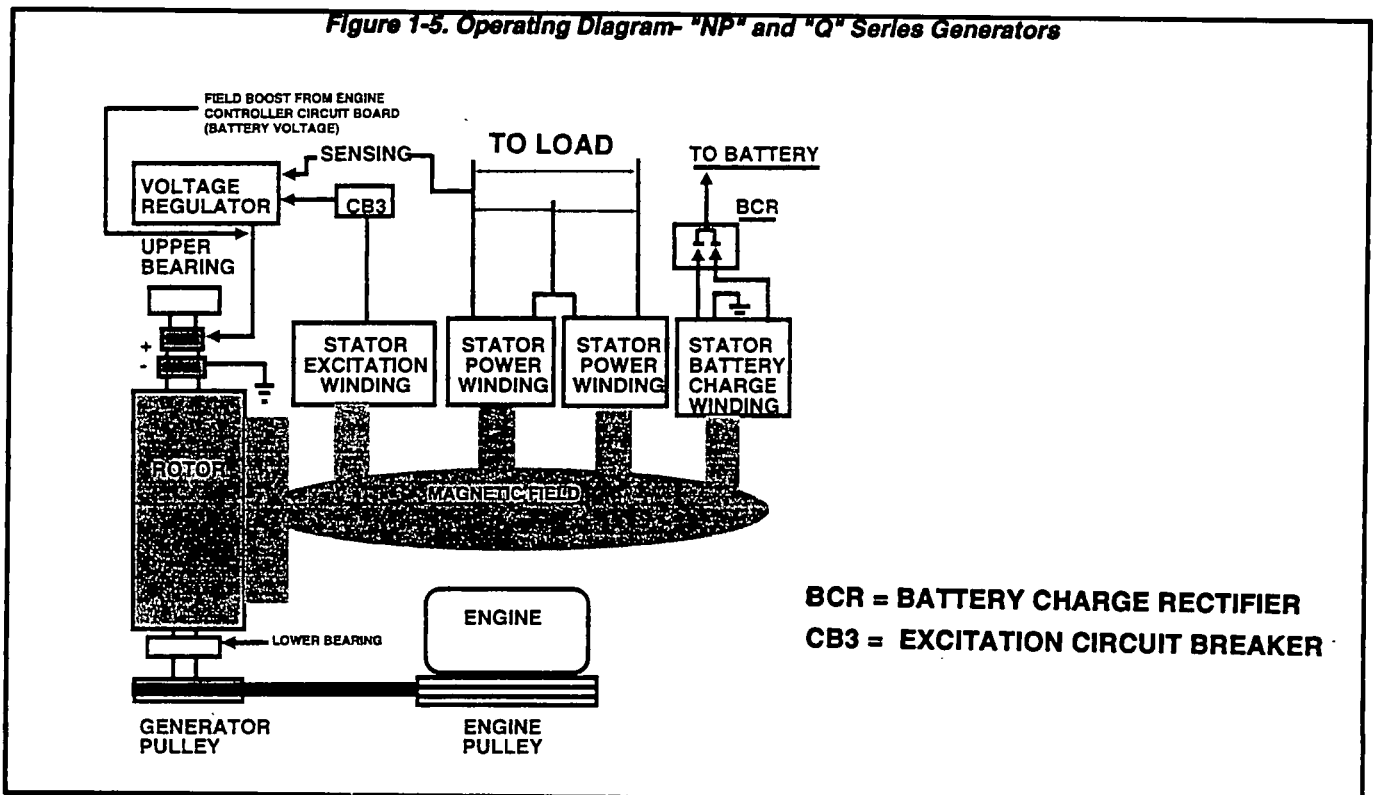
b. An "Actual" ("sensing") voltage is delivered to the Voltage Regulator via sensing leads from the Stator AC power windings.

c. The Regulator "compares" the actual (sensing) voltage to its pre-set reference voltage.

## "NP" and "Q" Series Generators

See Figure 1-5 below. The revolving magnetic field (ROTOR) is driven by the engine at a constant speed, through a pulley and v-belt arrangement. This constant speed is maintained by a mechanical engine governor. Units with 2-pole Rotor require an operating speed of 3600 rpm to deliver a 60 Hertz AC output. Engine governors are set to maintain approximately 3720 rpm when no electrical loads are connected to the generator.

Figure 1-5. Operating Diagram- "NP" and "Q" Series Generators



BCR = BATTERY CHARGE RECTIFIER  
CB3 = EXCITATION CIRCUIT BREAKER

# Chapter One- AC GENERATOR FUNDAMENTALS

- (1) If the actual (sensing) voltage is greater than the pre-set reference voltage, the Regulator will decrease the regulated current flow to the Rotor.
- (2) If the actual (sensing) voltage is less than the pre-set reference voltage, the Regulator will increase the regulated current flow to the Rotor.
- (3) In the manner described, the Regulator maintains an actual (sensing) voltage that is equal to the pre-set reference voltage.

**NOTE: The Voltage Regulator also changes the Stator excitation winding's alternating current (AC) output to direct current (DC).**

5. When an electrical load is connected across the Stator power windings, the circuit is completed and an electrical current will flow.
6. The Rotor's magnetic field also induces a voltage into the Stator battery charge windings.
  - a. Battery charge winding AC output is delivered to a battery charge rectifier (BCR) which changes the AC to direct current (DC).
  - b. The rectified DC is then delivered to the unit battery, to maintain the battery in a charged state.
  - c. A 1 ohm, 25 watt Resistor is installed in series with the grounded side of the battery charge circuit.

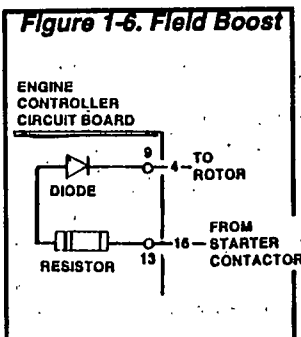
## Field Boost

When the engine is cranked during startup, the engine's starter contactor is energized closed. Battery current is then delivered to the starter motor and the engine cranks.

Closure of the starter contactor contacts also delivers battery voltage to Terminal 13 of an Engine Controller circuit board. The battery current flows through a 47 ohm, 2 watt resistor and a field boost diode, then to the Rotor via brushes and slip rings. This is called "Field Boost" current.

Field boost current is delivered to the Rotor only while the engine is cranking. The effect is to "flash the field" every time the engine is cranked. Field boost current helps ensure that sufficient "pickup" voltage is available on every startup to turn the Voltage Regulator on and build AC output voltage.

**NOTE: Loss of the Field Boost function may or may not result in loss of AC power winding output. If Rotor residual magnetism alone is sufficient to turn the Regulator on, loss of Field Boost may go unnoticed. However, if residual magnetism alone is not enough to turn the Regulator on, loss of the Field Boost function will result in loss of AC power winding output to the load. The AC output voltage will then drop to a value commensurate with the Rotor's residual magnetism (about 7-12 VAC).**



## Generator AC Connection System

### GENERAL:

The Stator AC power winding consists of two windings, with each winding capable of supplying 120 volts AC. When the two windings are connected in series, a 240 volts AC output results. In most cases, units are shipped from the factory connected for 120 volts AC output only.

### CONNECTIONS FOR SINGLE VOLTAGE OUTPUT:

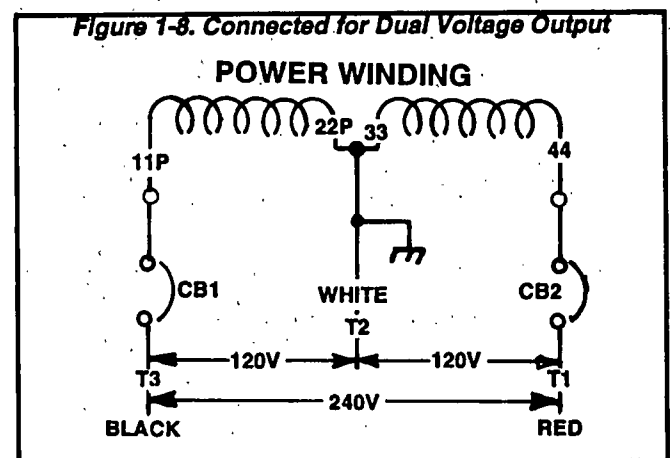
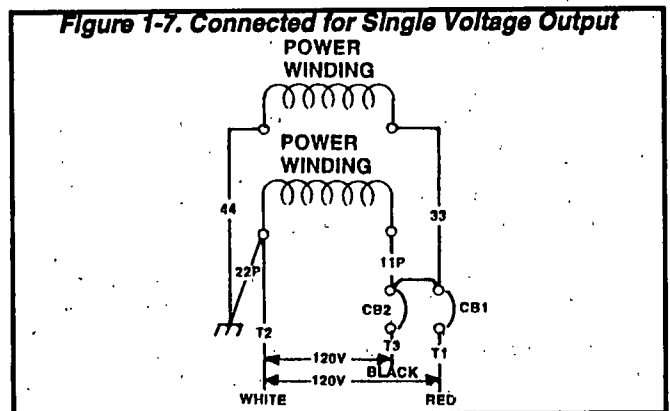
Figure 1-7 shows the system connected for 120 volts AC output only. Some models are equipped with a 30 amp and a 20 amp main circuit breaker, others may be equipped with two 30 amp circuit breakers.

### RECONNECTION FOR DUAL VOLTAGE OUTPUT:

When reconnected for dual voltage output, Stator output leads 11P and 44 form the two "hot" leads (T1- Red and T3- Black). The junction of leads 22P and 33 form the "Neutral" line (T2- White).

For dual voltage output, the "Neutral" line remains grounded. However, the jumper wire between the two main circuit breakers has been removed.

**NOTE: For units with two 30 amp main breakers, the existing breakers may be re-used when reconnecting for dual voltage output. However, on units with a 30 amp and a 20 amp main breaker, you may wish to install a 2-pole breaker that is rated closer to the unit's rated capacity.**



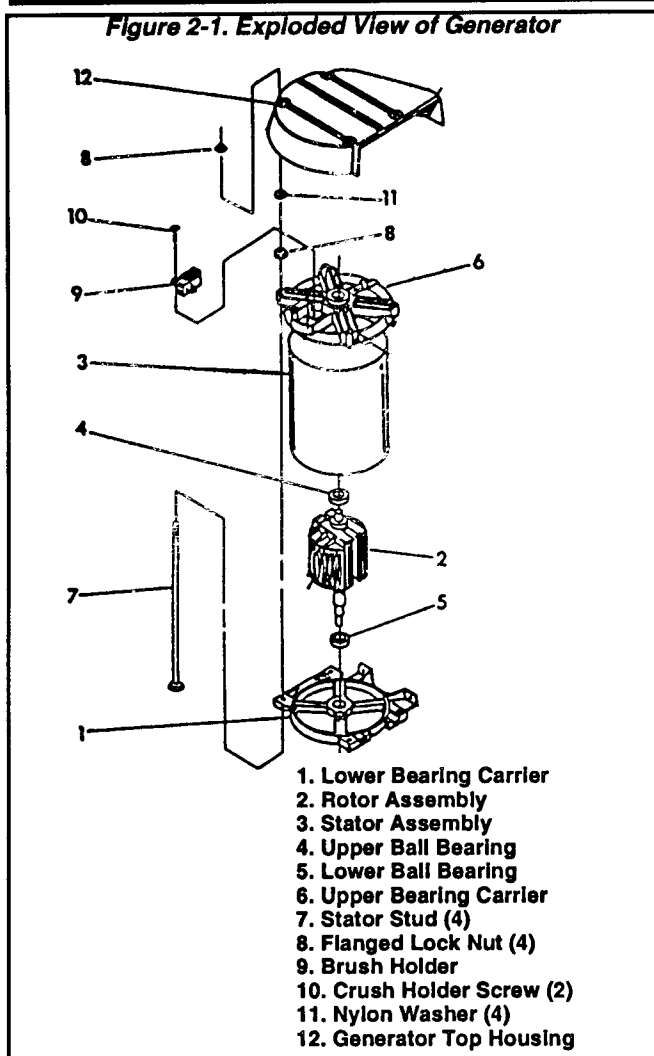
# **Chapter One- AC GENERATOR FUNDAMENTALS**

---



# Chapter Two- MAJOR GENERATOR COMPONENTS

Figure 2-1. Exploded View of Generator



## Lower Bearing Carrier

The lower bearing carrier supports the vertically mounted Stator and the lower Rotor bearing. Bosses are located around the carrier's outer periphery to accept the four Stator bolts.

## Rotor Assembly

The Rotor is sometimes called the "revolving field", since it provides the magnetic field that induces a voltage into the stationary Stator windings. It is supported by two ball bearings, one in the lower and one in the upper bearing carrier. Slip rings on the upper Rotor shaft allow excitation current from the voltage regulator to be delivered to the Rotor windings. A pulley is keyed and retained to the lower Rotor shaft, allowing the Rotor to be driven by the engine via a drive belt.

All generator models in this manual utilize a 2-pole Rotor, i.e., one having a single north and a single south pole. This type of Rotor must be driven at 3600 rpm for a 60 Hertz AC output; or at 3000 rpm for a 50 Hertz output.

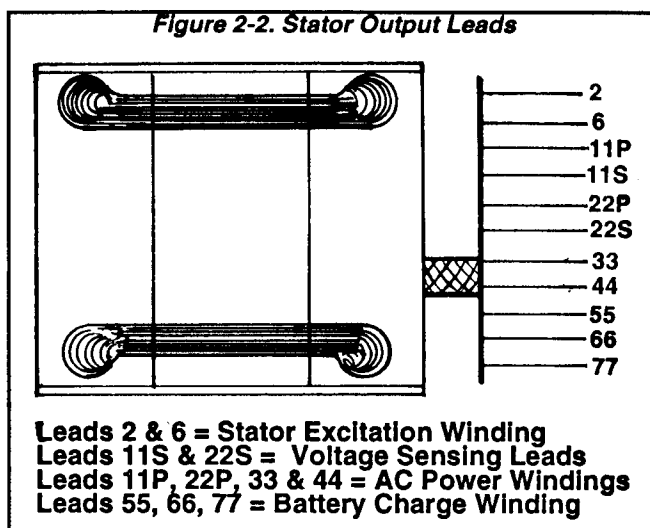
Slip rings may be cleaned. If dull or tarnished, clean them with fine sandpaper. **DO NOT USE ANY METALLIC GRIT OR ABRASIVE TO CLEAN SLIP RINGS.**

## Stator Assembly

The Stator is "sandwiched" between the upper and lower bearing carriers and retained in that position by four Stator studs. Windings included in the Stator assembly are (a) dual AC power windings, (b) an excitation or DPE winding, and (c) a battery charge winding. A total of eleven (11) leads are brought out of the Stator as follows:

1. Four (4) Stator power winding output leads (Wires No. 11P, 22P, 33 and 44). These leads deliver power to connected electrical loads.
2. Stator Power winding "sensing" leads (11S and 22S). These leads deliver an "actual" voltage signal to the electronic Voltage Regulator.
3. Two excitation winding output leads (No. 2 and 6). These leads deliver unregulated excitation current to the voltage regulator.
4. Three (3) battery charge output leads (No. 55, 66 and 77).

Figure 2-2. Stator Output Leads



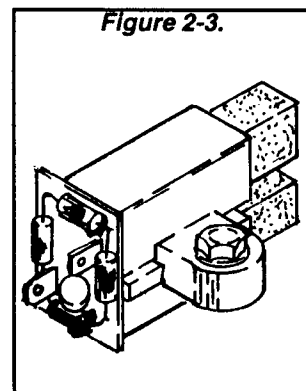
## Upper Bearing Carrier

The upper bearing carrier supports the Stator. It also provides mounting for a Brush Holder and a top housing. The Rotor's upper ball bearing is supported in the upper bearing carrier.

## Brush Holder

Figure 2-3.

The brush holder is retained in the upper bearing carrier by two M5 screws. It retains two brushes which contact the Rotor slip rings and allow current flow from stationary parts to the revolving Rotor. The positive (+) brush is located nearest the Rotor bearing.

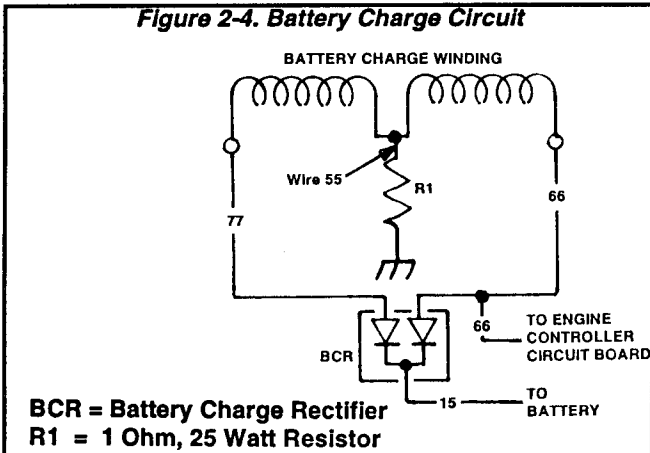


# Chapter Two- MAJOR GENERATOR COMPONENTS

## Battery Charge Components

The Stator incorporates dual battery charge windings. A battery charge rectifier (BCR) changes the AC output of these windings to direct current (DC). Battery charge winding output is delivered to the unit battery via the rectifier, a 15 amp fuse and Wire No. 13. A 1 ohm, 25 watt resistor is connected in series with the grounded side of the circuit.

Figure 2-4. Battery Charge Circuit

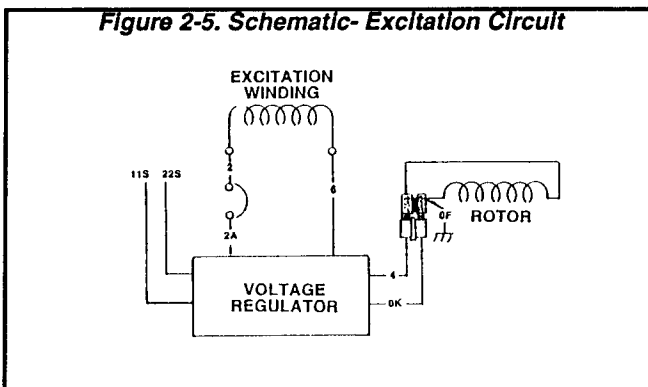


## Excitation Circuit Components

### GENERAL:

During operation, the Rotor's magnetic field induces a voltage and current flow into the Stator excitation winding. The resultant AC output is delivered to a voltage regulator via an excitation circuit breaker (CB3).

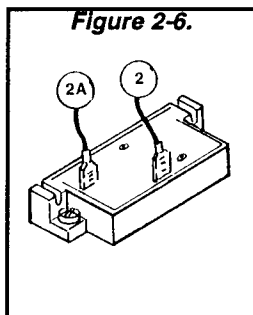
Figure 2-5. Schematic- Excitation Circuit



### EXCITATION CIRCUIT BREAKER:

The excitation circuit breaker (CB3) is self-resetting and cannot be reset manually. Should the breaker open for any reason, excitation current flow to the Rotor will be lost. The unit's AC output voltage will then drop to a value commensurate with the Rotor's residual magnetism (about 7-12 VAC).

Figure 2-6.



### VOLTAGE REGULATOR:

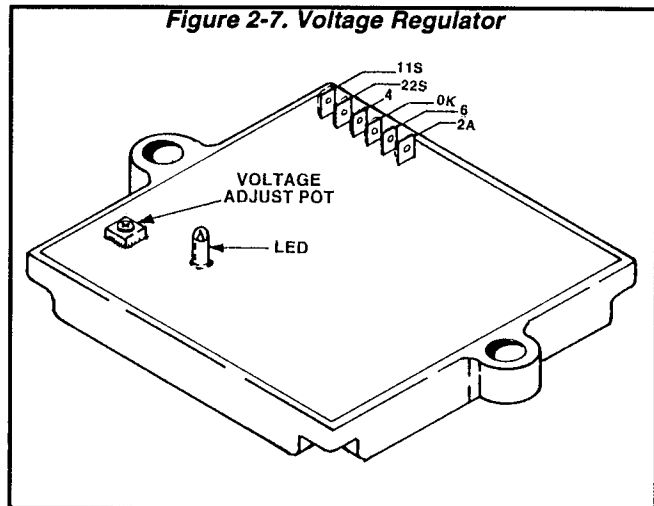
Six (6) leads are connected to the voltage regulator as follows:

- Two (2) SENSING leads deliver ACTUAL AC output voltage signals to the regulator. These are Wires No. 11S and 22S.
- Two (2) leads (No. 2 and 6) deliver Stator excitation winding AC output to the regulator.
- Two (2) leads (1 and 4) deliver the regulated direct current to the Rotor, via brushes and slip rings.

The regulator mounts a "VOLTAGE ADJUST" potentiometer, used for adjustment of the pre-set REFERENCE voltage. A lamp (LED) will turn on to indicate that SENSING (actual) voltage is available to the regulator and the regulator is turned on.

**NOTE:** If, for any reason, sensing voltage to the regulator is lost, the regulator will shut down and excitation output to the Rotor will be lost. The AC output voltage will then drop to a value that is commensurate with Rotor residual magnetism (about 7-12 VAC). Without this automatic shutdown feature, loss of sensing (actual) voltage to the regulator would result in a "full field" or "full excitation" condition and an extremely high AC output voltage.

Figure 2-7. Voltage Regulator



**NOTE:** Adjustment of the regulator's "VOLTAGE ADJUST" potentiometer must be done only when the unit is running at its correct governed no-load speed. Speed is correct when the unit's no-load AC output frequency is about 61-63 Hertz. At the stated frequency, AC output voltage should be about 122-126 volts.

# Chapter Three- INSULATION RESISTANCE TESTS

## Effects of Dirt and Moisture

Moisture and dirt are detrimental to the continued good operation of any generator set.

If moisture is allowed to remain in contact with the Stator and Rotor windings, some of the moisture will be retained in voids and cracks of the winding insulation. This will result in a reduced insulation resistance and, eventually, the unit's AC output will be affected.

Insulation used in NP and Q-Series generators is moisture resistant. However, prolonged exposure to moisture will gradually reduce the resistance of the winding insulation.

Dirt can make the problem worse, since it tends to hold moisture into contact with the windings. Salt, as from sea air, also worsens the problem since salt can absorb moisture from the air. When salt and moisture combine, they make a good electrical conductor.

Because of the detrimental effects of dirt and moisture, the generator should be kept as clean and as dry as possible. Rotor and Stator windings should be tested periodically with an insulation resistance tester (such as a megohmmeter or hi-pot tester).

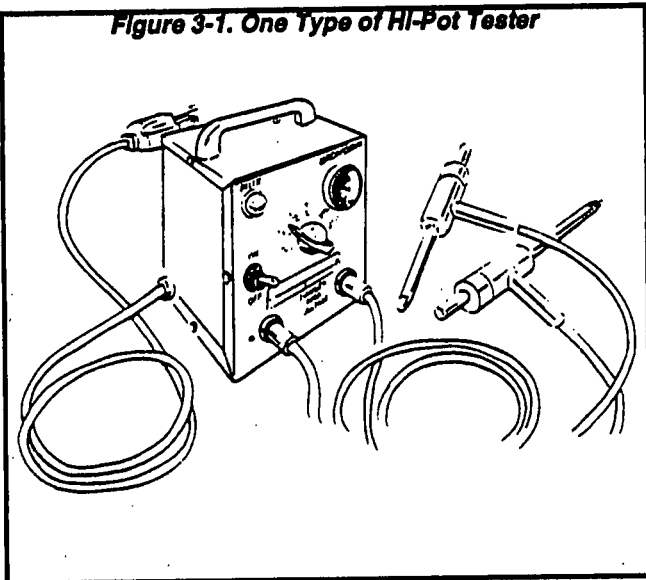
If the insulation resistance is excessively low, drying may be required to remove accumulated moisture. After drying, perform a second insulation resistance test. If resistance is still low after drying, replacement of the defective Rotor or Stator may be required.

## Insulation Resistance Testers

Figure 3-1 shows one kind of hi-pot tester. The tester shown has a "Breakdown" lamp that will glow during the test procedure to indicate an insulation breakdown in the winding being tested.

**DANGER!**  
INSULATION RESISTANCE TESTERS SUCH AS HI-POT TESTERS AND MEGOHMMETERS ARE A SOURCE OF HIGH AND DANGEROUS ELECTRICAL VOLTAGE. FOLLOW THE TESTER MANUFACTURER'S INSTRUCTIONS CAREFULLY. USE COMMON SENSE TO AVOID DANGEROUS ELECTRICAL SHOCK.

Figure 3-1. One Type of Hi-Pot Tester



## Drying the Generator

### GENERAL:

If tests indicate the insulation resistance of a winding is below a safe value, the winding should be dried before operating the generator. Some recommended drying procedures include (a) heating units and (b) forced air.

### HEATING UNITS:

If drying is needed, the generator can be enclosed in a covering. Heating units can then be installed to raise the temperature about 15°-18° F. (8°-10° C.) above ambient temperature.

### FORCED AIR:

Portable forced air heaters can be used to dry the generator. Direct the heated air into the generator's air intake openings. Remove the voltage regulator and run the unit at no-load. Air temperature at the point of entry into the generator should not exceed 150° F. (66° C.).

## Cleaning the Generator

### GENERAL:

The generator can be cleaned properly only while it is disassembled. The cleaning method used should be determined by the type of dirt to be removed. Be sure to dry the unit after it has been cleaned.

**NOTE:** A shop that repairs electric motors may be able to assist you with the proper cleaning of generator windings. Such shops are often experienced in special problems such as a sea coast environment, marine or wetland applications, mining, etc.

### USING SOLVENTS FOR CLEANING:

If dirt contains oil or grease, a solvent is generally required. Only petroleum distillates should be used to clean electrical components. Recommended are safety type petroleum solvents having a flash point greater than 100° F. (38° C.).

Use a soft brush or cloth to apply the solvent. Be careful to avoid damage to magnet wire or winding insulation. After cleaning, dry all components thoroughly using moisture-free, low-pressure compressed air.

**DANGER!**  
DO NOT ATTEMPT TO WORK WITH SOLVENTS IN ANY ENCLOSED AREA. PROVIDE ADEQUATE VENTILATION WHEN WORKING WITH SOLVENTS. WITHOUT ADEQUATE VENTILATION, FIRE, EXPLOSION OR HEALTH HAZARDS MAY EXIST. WEAR EYE PROTECTION. WEAR RUBBER GLOVES TO PROTECT THE HANDS.

**CAUTION!**  
Some generators may use epoxy or polyester base winding varnishes. Use solvents that will not attack such materials.

### CLOTH OR COMPRESSED AIR:

For small parts or when dry dirt is to be removed, a dry cloth may be satisfactory. Wipe the parts clean, then use low pressure air at 30 psi (206 Kpa) to blow dust away.

# Chapter Three- INSULATION RESISTANCE TESTS

## Cleaning the Generator (Continued)

### BRUSHING AND VACUUM CLEANING:

Brushing with a soft bristle brush followed by vacuum cleaning is a good method of removing dust and dirt. Use the soft brush to loosen the dirt, then remove it with the vacuum.

## Stator Insulation Resistance

### GENERAL:

Insulation resistance is a measure of the integrity of the insulating materials that separate electrical windings from the generator's steel core. This resistance can degrade over time due to the presence of contaminants (dust, dirt, grease and especially moisture).

The normal insulation resistance for generator windings is on the order of "millions of ohms" or "megohms".

When checking the insulation resistance, follow the tester manufacturer's instructions carefully. Do NOT exceed the applied voltages recommended in this manual. Do NOT apply the voltage longer than one (1) second.

### CAUTION!

DO NOT connect the HI-Pot Tester or Megohmmeter test leads to any leads that are routed into the generator control panel. Connect the tester leads to the Stator or Rotor leads only.

### STATOR SHORT-TO-GROUND TESTS:

See Figure 3-2. To test the Stator for a short-to-ground condition, proceed as follows:

1. Disconnect and isolate all Stator leads as follows:
  - a. Disconnect sensing leads 11S and 22S from the voltage regulator.
  - b. Disconnect excitation winding lead No. 6 from the voltage regulator.
  - c. Disconnect excitation lead No. 2 from the excitation circuit breaker (CB3).
  - d. Disconnect battery charge winding leads No. 66 and 77 from the battery charge rectifier (BCR).
  - e. Disconnect battery charge winding lead No. 55 from the battery charge circuit resistor (R1).
  - f. At the main circuit breakers, disconnect AC power leads No. 11P and 33.
  - g. At the 4-tab ground terminal (GT), disconnect Stator power leads No. 22P and 44.
2. When all leads have been disconnected as outlined in Step 1 above, test for a short-to-ground condition as follows:
  - a. Connect the terminal ends of all Stator leads together (11S, 22S, 11P, 22P, 33, 44, 2, 6, 55, 66, 77).
  - b. Follow the tester manufacturer's instructions carefully. Connect the tester leads across all Stator leads and to frame ground on the Stator can. Apply a voltage of 1500 volts. Do NOT apply voltage longer than one (1) second.

If the test indicates a breakdown in insulation, the Stator should be cleaned, dried and re-tested. If the winding fails the second test (after cleaning and drying), replace the Stator assembly.

### TEST BETWEEN ISOLATED WINDINGS:

1. Follow the tester manufacturer's instructions carefully. Connect the tester test leads across Stator leads No. 11 and 2. Apply a voltage of 1500 volts- DO NOT EXCEED 1 SECOND.

2. Repeat Step 1 with the tester leads connected across the following Stator leads:

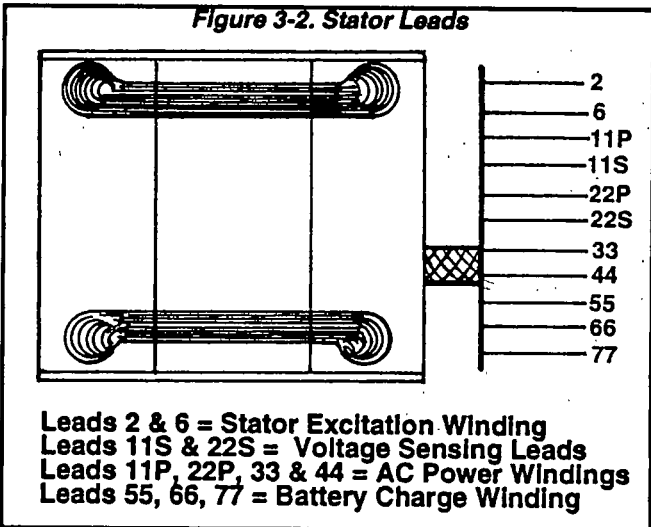
- a. Across Wires No. 33 and 2.
- b. Across Wires No. 11 and 66.
- c. Across Wires No. 33 and 66.
- d. Across Wires No. 2 and 66.

If a breakdown in the insulation between isolated windings is indicated, clean and dry the Stator. Then, repeat the test. If the Stator fails the second test, replace the Stator assembly.

### TEST BETWEEN PARALLEL WINDINGS:

Connect the tester leads across Stator leads No. 11 and 33. Apply a voltage of 1500 volts. If an insulation breakdown is indicated, clean and dry the Stator. Then, repeat the test between parallel windings. If the Stator fails the second test, replace it.

Figure 3-2. Stator Leads



## Testing Rotor Insulation

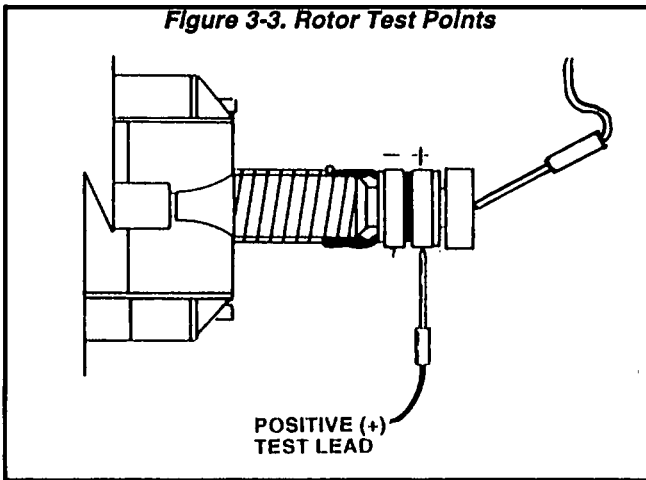
To test the Rotor for insulation breakdown, proceed as follows:

1. Disconnect wires from the Rotor brushes or remove the brush holders with brushes.
2. Connect the tester positive (+) test lead to the positive (+) slip ring (nearest the Rotor bearing). Connect the tester negative (-) test lead to a clean fram ground (like the Rotor shaft).
3. Apply 1000 volts. DO NOT APPLY VOLTAGE LONGER THAN 1 SECOND.

If an insulation breakdown is indicated, clean and dry the Rotor then repeat the test. Replace the Rotor if it fails the second test (after cleaning and drying).

# Chapter Three- INSULATION RESISTANCE TESTS

Figure 3-3. Rotor Test Points



**EXAMPLE:** Generator is rated at 240 volts AC. Divide "240" by "1000" to obtain "0.24". Then, add "1" to obtain "1.24" megohms. Minimum insulation resistance for a 240 VAC Stator is 1.24 megohms.

If the Stator insulation resistance is less than the calculated minimum resistance, clean and dry the Stator. Then, repeat the test. If resistance is still low, replace the Stator.

Use the Megger to test for shorts between isolated windings as outlined "Stator Insulation Resistance".

Also test between parallel windings. See "Test Between Parallel Windings" on Page 10.

## The Megohmmeter

### GENERAL:

A megohmmeter, often called a "megger", consists of a meter calibrated in megohms and a power supply. Use a power supply of 1500 volts when testing Stators; or 1000 volts when testing the Rotor. **DO NOT APPLY VOLTAGE LONGER THAN ONE (1) SECOND.**

### TESTING STATOR INSULATION:

All parts that might be damaged by the high megger voltages must be disconnected before testing. Isolate all Stator leads (Figure 3-2) and connect all of the Stator leads together. **FOLLOW THE MEGGER MANUFACTURER'S INSTRUCTIONS CAREFULLY.**

Use a megger power setting of 1500 volts. Connect one megger test lead to the junction of all Stator leads, the other test lead to frame ground on the Stator can. Read the number of megohms on the meter.

The **MINIMUM** acceptable megger reading for Stators may be calculated using the following formula:

MINIMUM INSULATION RESISTANCE (In "Megohms")	=	GENERATOR RATED VOLTS	+1
		1000	

### TESTING ROTOR INSULATION:

Apply a voltage of 1000 volts across the Rotor slip rings. **DO NOT EXCEED 1000 VOLTS AND DO NOT APPLY VOLTAGE LONGER THAN 1 SECOND. FOLLOW THE MEGGER MANUFACTURER'S INSTRUCTIONS CAREFULLY.**

<p><b>ROTOR MINIMUM INSULATION RESISTANCE</b> 1.5 megohms</p>
---

# **Chapter Three- INSULATION RESISTANCE TESTS**

# Chapter Four- MEASURING ELECTRICITY

## Meters

Devices used to measure electrical properties are called meters. Meters are available that allow one to measure (a) AC voltage, (b) DC voltage, (c) AC frequency, and (d) resistance in ohms. The following apply:

- To measure AC voltage, use an AC voltmeter.
- To measure DC voltage, use a DC voltmeter.
- Use a frequency meter to measure AC frequency in "Hertz" or "cycles per second"...
- Use an ohmmeter to read circuit resistance, in "ohms".

## The VOM

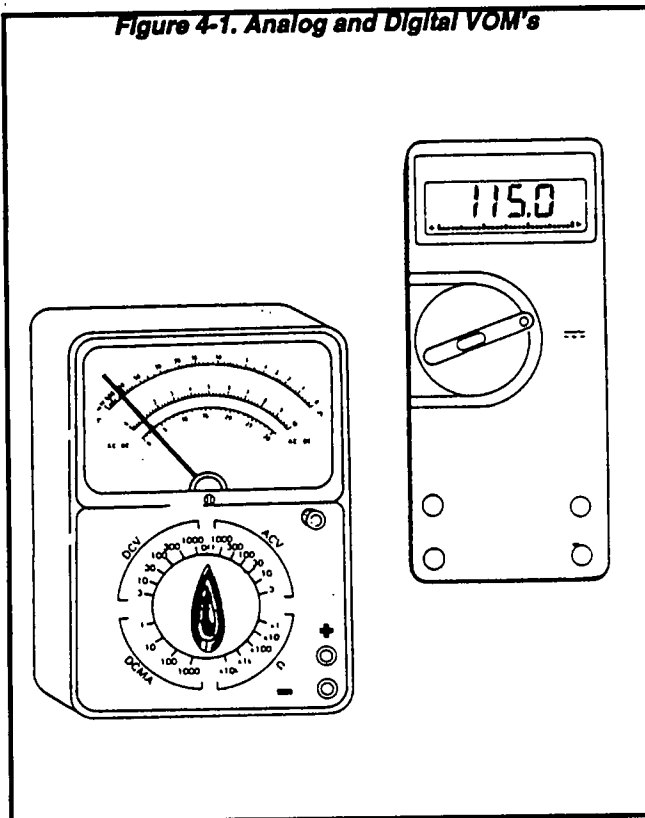
A meter that will permit both voltage and resistance to be read is the "volt-ohm-milliammeter" or "VOM".

Some VOM's are of the "analog" type (Figure 4-1). These meters display the value being measured by physically deflecting a needle across a graduated scale. The scale used must be interpreted by the user.

"Digital" VOM's (Figure 4-1) are also available and are generally very accurate. Digital meters display the measured values directly by converting the values to numbers.

**NOTE: Standard AC voltmeters react to the AVERAGE value of alternating current. When working with AC, the effective or "rms" value is used. For that reason, a different scale is used on an AC voltmeter. The scale is marked with the effective or "rms" value even though the meter actually reacts to the average value. That is why the AC voltmeter will give an incorrect reading is used to measure direct current (DC).**

Figure 4-1. Analog and Digital VOM's



## Measuring AC Voltages

An accurate AC voltmeter or a VOM may be used to read the generator's AC output voltage. The following apply:

1. Always read the generator's AC output voltage only at the unit's rated operating speed and AC frequency.
2. The generator's voltage regulator can be adjusted for correct output voltage only while the unit is operating at its correct rated speed and frequency.
3. Only an AC voltmeter may be used to measure AC voltage. **DO NOT USE A DC VOLTMETER FOR THIS PURPOSE.**

### DANGER!

**RV GENERATORS PRODUCE HIGH AND DANGEROUS VOLTAGES. CONTACT WITH HIGH VOLTAGE TERMINALS WILL RESULT IN DANGEROUS AND POSSIBLY LETHAL ELECTRICAL SHOCK.**

## Measuring DC Voltage

A DC voltmeter or a VOM may be used to measure DC voltages. Always observe the following rules:

1. Always observe correct DC polarity.
  - a. Some VOM's may be equipped with a polarity switch.
  - b. On meters that do not have a polarity switch, DC polarity must be reversed by reversing the test leads.
2. Before reading a DC voltage, always set the meter to a higher voltage scale than the anticipated reading. If in doubt, start at the highest scale and adjust the scale downward until correct readings are obtained.
3. The design of some meters is based on the "current flow" theory while others are based on the "electron flow" theory.
  - a. The "current flow" theory assumes that direct current flows from the positive (+) to the negative (-).
  - b. The "electron flow" theory assumes that current flows from negative (-) to positive (+).

**NOTE: When testing NP and Q-Series generators, the "current flow" theory is applied. That is, current is assumed to flow from positive (+) to negative (-).**

## Measuring AC Frequency

The generator's AC output frequency is proportional to Rotor speed. Generators equipped with a 2-pole Rotor must operate at 3600 rpm to supply a frequency of 60 Hertz. Units with 4-pole Rotor must run at 1800 rpm to deliver 60 Hertz.

**NOTE: "NP" and "Q-Series" Rotors are engine driven through a drive belt and pulley arrangement. Drive ratios may differ between models.**

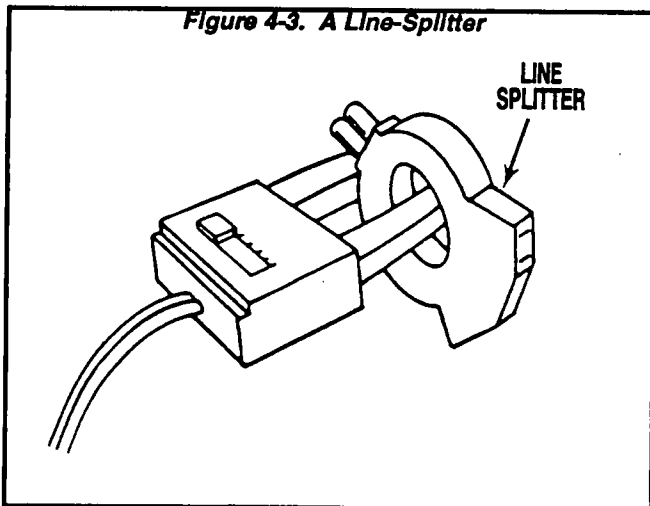
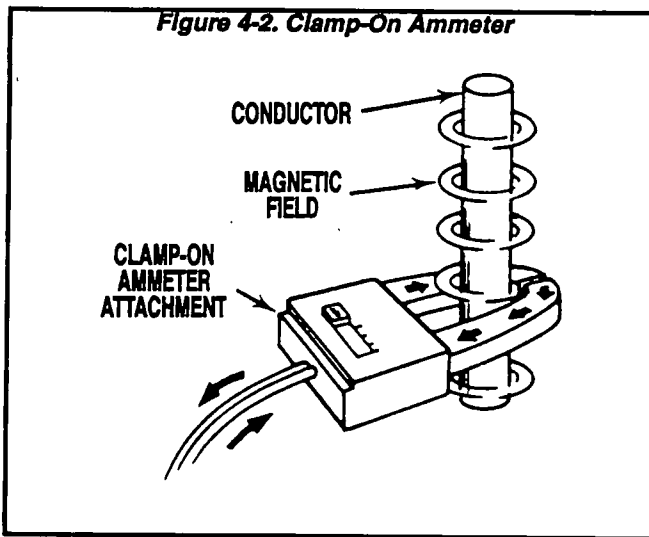
Correct engine and Rotor speed is maintained by an engine speed governor. For models rated 60 Hertz, the governor is generally set to maintain a no-load frequency of about 62 Hertz with a corresponding output voltage of about 124 volts AC line-to-neutral; or 248 volts line-to-line. Engine speed and frequency at no-load are set slightly high to prevent excessive rpm and frequency drop under heavy electrical loading.

# Chapter Four- MEASURING ELECTRICITY

## Measuring Current

To read the current flow, in AMPERES, a clamp-on ammeter may be used. This type of meter indicates current flow through a conductor by measuring the strength of the magnetic field around that conductor. The meter consists essentially of a current transformer with a split core and a rectifier-type instrument connected to the secondary. The primary of the current transformer is the conductor through which the current to be measured flows. The split core allows the instrument to be clamped around the conductor without disconnecting it.

Current flowing through a conductor may be measured safely and easily. A line-splitter can be used to measure current in a cord without separating the conductors.



**NOTE:** If the physical size of the conductor or ammeter capacity does not permit all lines to be measured simultaneously, measure current flow in each individual line. Then, add the individual readings.

## Measuring Resistance

The volt-ohm-milliammeter may be used to measure the resistance in a circuit. Resistance values can be very valuable when testing coils or windings, such as the Stator and Rotor windings.

When testing Stator windings, keep in mind that the resistance of these windings is very low. Some meters are not capable of reading such a low resistance and will simply read "continuity".

If proper procedures are used, the following conditions can be detected using a VOM:

- A "short-to-ground" condition in any Stator or Rotor winding.
- Shorting together of any two parallel Stator windings.
- Shorting together of any two isolated Stator windings.
- An open condition in any Stator or Rotor winding.



# Chapter Five- ENGINE DC CONTROL SYSTEM

## Introduction

The engine DC control system includes all components necessary to the operation of the engine. Operation includes cranking, starting, running and shutdown. The system is shown schematically in Figure 5-2.

## Operational Analysis

### CIRCUIT CONDITION- SHUTDOWN:

Battery voltage is available to the engine controller circuit board (PCB) from the unit BATTERY and via (a) the RED battery cable, Wire 13, a 15 amp FUASE (F1), Wire 15 and circuit board Terminal J3. However, circuit board action is holding the circuit open and no action can occur.

Battery output is available to the contacts of a STARTER CONTACTOR (SC), but the contacts are open.

Battery voltage is also delivered to the FUEL PRIMER SWITCH (SW2). The switch is open and the circuit is incomplete.

### CIRCUIT CONDITION- PRIMING:

When the FUEL PRIMER SWITCH (DW2) is closed by the operator, battery voltage is delivered across the closed switch contacts and to the FUEL PUMP (FP) via Wire 14A. If the unit is equipped with a FUEL SOLENOID (FS), it will be energized via Wire 14.

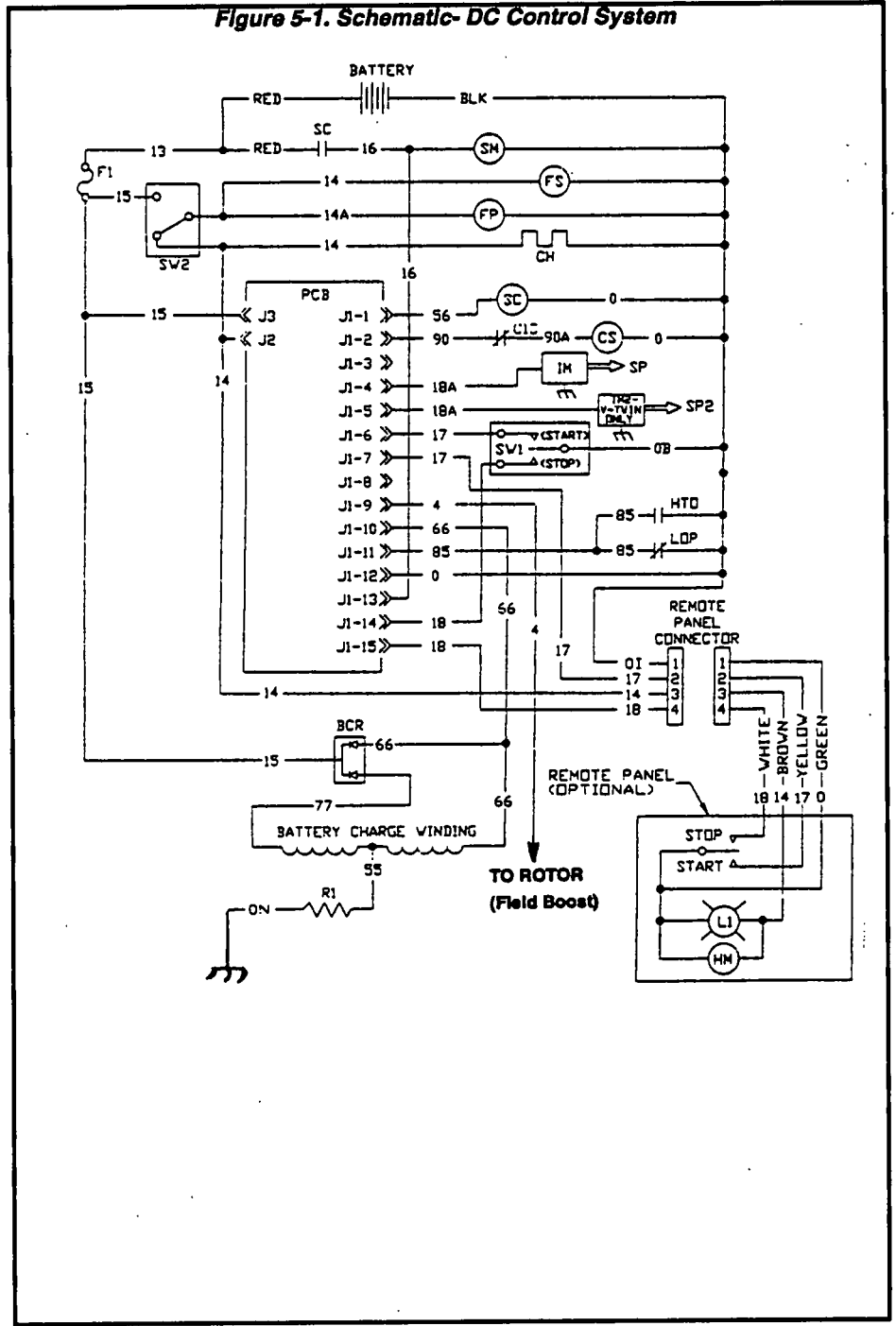
### CIRCUIT CONDITION- CRANKING:

When the START-STOP SWITCH (SW1) is held at "START" position, Wire 17 from the engine controller circuit board is connected to frame ground. Circuit board action will then deliver battery voltage to (a) a STARTER CONTACTOR (SC) via Wire 56, and to an automatic CHOKE SOLENOID (CS) via Wire 90.

When battery voltage energizes the STARTER CONTACTOR (SC), its contacts close and battery output is delivered to the STARTER MOTOR (SM) via Wire 16. The STARTER MOTOR (SM) energizes and the engine cranks.

Legend for Figure 5-1	
BCR	Battery Charge Rectifier
CH	Choke Heater
CS	Choke Solenoid
FS	Choke Isolation Switch (MP-60 Only)
F1	15 amp Fuse
FP	Fuel Pump (or LPG Shutoff Valve)
IM	Fuel Solenoid (if supplied)
J1-1 to J1-15	Hourmeter (Optional)
J3	High Oil Temperature Switch
J4	Ignition Magneto (No. 1 Cylinder)
J5	Ignition Magneto (No. 2 Cylinder)
J6	Run Lamp (Optional)
J7	Low Oil Pressure Switch
PCB	Engine Controller Circuit Board
R1	1 Ohm, 25 watt Resistor
SC	Starter Contactor
SM	Starter Motor
SW1	Start-Stop Switch
SW2	Fuel Primer Switch
SP1	No. 1 Spark Plug
SP2	No. 2 Spark Plug

Figure 5-1. Schematic- DC Control System



# Chapter Five- ENGINE DC CONTROL SYSTEM

## Operational Analysis (Continued)

### CIRCUIT CONDITION- CRANKING:

While cranking, the CHOKE SOLENOID (CS) is energized cyclically by circuit board action.

Also while cranking, circuit board action delivers battery voltage to the Wire 14/14A circuit. This energizes the FUEL PUMP (FP) and the FUEL SOLENOID (FS). Some units may not be equipped with a FUEL SOLENOID.

In addition, circuit board action delivers battery voltage to the Wire(s) 18A circuit and ignition occurs.

### CIRCUIT CONDITION- RUNNING:

With the FUEL PUMP (FP) operating and Ignition occurring, the engine should start.

A voltage is Induced into the Stator's BATTERY CHARGE WINDING. This voltage is delivered to the ENGINE CONTROLLER BOARD (PCB) via Wire 66 to prevent STARTER MOTOR engagement above a certain rpm.

Circuit board action terminates DC output to the STARTER CONTACTOR which then de-energizes to end cranking and CHOKE SOLENOID operation. The choke will go to a position determined by the CHOKE HEATER (CH).

Circuit board action delivers a DC voltage to Wire 4 and to the Rotor. This is FIELD BOOST.

### CIRCUIT CONDITION- SHUTDOWN:

Setting the START-STOP SWITCH (SW1) to its "STOP" position connects the Wire 18 circuit to frame ground. Circuit board action then opens the circuit to Wire(s) 18A and to Wire 14. Ignition and fuel flow terminate and the engine shuts down.

### CIRCUIT CONDITION- FAULT SHUTDOWN:

The engine mounts a HIGH OIL TEMPERATURE SWITCH (HTO) and a LOW OIL PRESSURE SWITCH (LOP).

Should engine oil temperature exceed a pre-set value, the switch contacts will close. Wire 85 from the circuit board will connect to frame ground. Circuit board action will then initiate a shutdown.

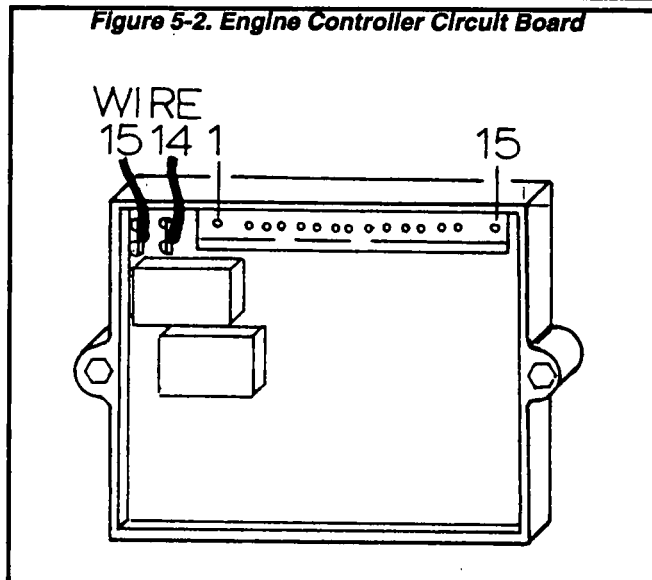
Should engine oil pressure drop below a safe pre-set value, the switch contacts will close. On contacts closure, Wire 85 will be connected to frame ground and circuit board action will initiate an engine shutdown.

## Engine Controller Circuit Board

### GENERAL:

The engine controller board is the control center for cranking, startup, running and shutdown operations. The board interconnects with other components of the DC control system to turn them on and off at the proper times: It is powered by fused 12 VDC power from the unit battery.

Figure 5-2. Engine Controller Circuit Board



### CIRCUIT BOARD CONNECTIONS:

The circuit board mounts a 15-pin receptacle (J1) and two single pin terminals (J2 and J3). Figure 5-3 shows the 15-pin receptacle pins, associated wires and the function(s) of each pin and wire.

Figure 5-3. Receptacle J1

PIN	WIRE	FUNCTION
1	56	Delivers 12 VDC to Starter Contactor (SC) while cranking only.
2	90	Delivers 12 VDC to Choke Solenoid coil while cranking only.
3	—	Not used.
4	18A	12 VDC to Ignition Module (IM) while cranking and running.
5	18A	12 VDC to Ignition Module (IM2) while cranking and running.
6	17	To Start-Stop switch. When wire is grounded by setting Start-Stop switch to "START", engine will crank.
7	17	To Start-Stop switch on optional Remote Panel.
8	—	Not used.
9	4	Field Boost DC to Voltage Regulator and to Rotor windings.
10	66	To Battery Charge Rectifier (BCR). Prevents cranking while engine is running.
11	85	Fault shutdown circuit. When grounded by closure of High Oil Temperature or Low Oil Pressure Switch engine will shut down.
12	0	Common Ground.
13	16	12 VDC Input to Field Boost circuit while cranking only.
14	18	To Start-Stop switch. When grounded by setting Switch to "STOP" engine shuts down.
15	18	To Start-Stop Switch on optional Remote Panel.

# Chapter Five- ENGINE DC CONTROL SYSTEM

In addition to the 15-pin receptacle (J1), the circuit board is equipped with two single pin terminals (J2 and J3). These terminals may be identified as follows:

1. Wire 14 connects to Terminal J2. During cranking and running, the circuit board delivers battery voltage to the Wire 14 circuit for the following functions:
  - a. To operate the electric Fuel Pump (FP).
  - b. To open the Fuel Solenoid (if so equipped).
  - c. To operate the Choke Heater.
2. Wire 15 connects to Terminal J3. This is the power supply (12 VDC) for the circuit board and the DC control system.

## Battery

### RECOMMENDED BATTERY:

When anticipated ambient temperatures will be consistently above 32° F. (0° C.), use a 12 volts automotive type storage battery rated 70 amp-hours and capable of delivering at least 360 cold cranking amperes.

If ambient temperatures will be below 32° (0° C.), use a 12 volt battery rated 95 amp-hours and having a cold cranking capacity of 450 amperes.

### BATTERY CABLES:

Use of battery cables that are too long or too small in diameter will result in excessive voltage drop. For best cold weather starting, voltage drop between the battery and starter should not exceed 0.12 volt per 100 amperes of cranking current.

Select the battery cables based on total cable length and prevailing ambient temperature. Generally, the longer the cable and the colder the weather, the larger the required cable diameter. The following chart applies:

CABLE LENGTH (IN FEET)	RECOMMENDED CABLE SIZE
0-10	NO. 2
11-15	NO. 0
16-20	NO. 000

### EFFECTS OF TEMPERATURE:

Battery efficiency is greatly reduced by a decreased electrolyte temperature. Such low temperatures have a decided numbing effect on the electrochemical action. Under high discharge rates (such as cranking), battery voltage will drop to much lower values in cold temperatures than in warmer temperatures. The freezing point of battery electrolyte fluid is affected by the state of charge of the electrolyte as indicated below:

SPECIFIC GRAVITY	FREEZING POINT
1.220	-35° F. (-37° C.)
1.200	-20° F. (-29° C.)
1.160	0° F. (-18° C.)

### ADDING WATER:

Water is lost from a battery as a result of charging and discharging and must be replaced. If the water is not replaced and the separator plates become exposed, they may become permanently sulfated. In addition, the plates cannot take full part in the battery action unless they are completely immersed in electrolyte. Add only DISTILLED WATER to the battery. DO NOT USE TAP WATER.

*NOTE: Water cannot be added to some "maintenance-free" batteries.*

### CHECKING BATTERY STATE OF CHARGE:

Use an automotive type battery hydrometer to test the battery state of charge. Follow the hydrometer manufacturer's instructions carefully. Generally, a battery may be considered fully charged when the specific gravity of its electrolyte is 1.260. If the hydrometer used does not have a "Percentage of Charge" scale, compare the readings obtained with the following:

SPECIFIC GRAVITY	PERCENTAGE OF CHARGE
1.260	100%
1.230	75%
1.200	50%
1.170	25%

### CHARGING A BATTERY:

Use an automotive type battery charger to recharge a battery. Battery fluid is an extremely caustic sulfuric acid solution that can cause severe burns. For that reason, the following precautions must be observed:

- The area in which the battery is being charged must be well ventilated. When charging a battery, an explosive gas mixture forms in each cell.
- Do not smoke or break a live circuit near the top of the battery. Sparking could cause an explosion.
- Avoid spillage of battery fluid. If spillage occurs, flush the affected area with clear water immediately.
- Wear eye protection when handling a battery.

## 15 Amp Fuse

This panel-mounted Fuse protects the DC control circuit against overload and possible damage. If the Fuse has melted open due to an overload, neither the priming function nor the cranking function will be available.

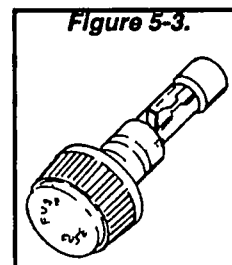


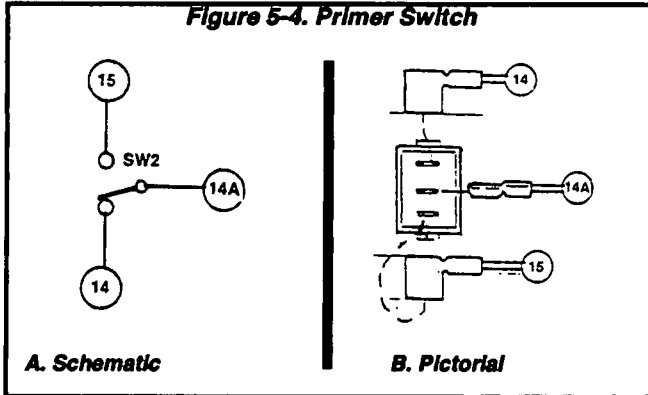
Figure 5-3.

# Chapter Five- ENGINE DC CONTROL SYSTEM

## Fuel Primer Switch

Following generator installation and after the unit has been idle for some time, the fuel supply line may be empty. This condition will require a long cranking period before fuel can reach the carburetor. The Fuel Primer Switch, when actuated to its "PRIME" position will open a Fuel Solenoid (FS), if so equipped. In addition, battery voltage will be delivered across the closed switch contacts to the Fuel Pump (FP) to turn the Pump on. Pump action will then draw fuel from the supply tank to prime the fuel lines and carburetor.

Figure 5-4. Primer Switch



## Start-Stop Switch

Switch allows the operator to control cranking, startup and shutdown. The following wires connect to the Start-Stop Switch:

1. Wire No. 17 from the Engine Controller circuit board. This is the CRANK and START circuit. When the Switch is set to "START", Wire 17 is connected to frame ground via Wire 0B.

a. With Wire 17 grounded, a Crank Relay on the circuit board energizes and battery voltage is delivered to the Starter Contactor via Wire 56. The Starter contactor energizes, its contacts close and the engine cranks.

b. With Wire 17 grounded, a Run Relay on the circuit board energizes and battery voltage is delivered to the Wire 14 circuit.

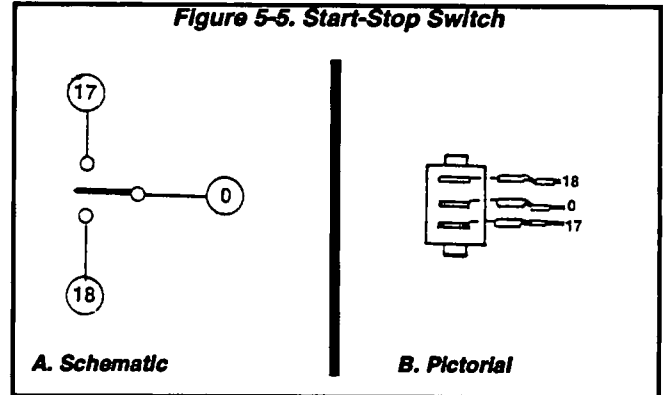
(1) Battery voltage is delivered to the Fuel Pump, Fuel Solenoid (if so equipped) and the Choke Heater.

(2) Battery voltage is delivered to the Ignition Modules (IM and IM2). Ignition occurs.

2. Wire 18 from the Engine Controller board. This is the ENGINE STOP circuit. When the Start-Stop Switch is set to "STOP", Wire 18 is connected to frame ground. Circuit board action then opens the circuit to Wires 14 and 18A. Fuel flow to the carburetor and Ignition are terminated.

3. Wire 0B connects the Switch to frame ground by means of a 4-tab grounding terminal.

Figure 5-5. Start-Stop Switch



## Starter Contactor & Motor

The positive (+) battery cable (13) attaches to one of the large lugs of the Contactor. The Starter cable (16) attaches to the second large lug. Attached to the two small lugs are Wires 56 and 0.

When the Start-Stop switch is set to "START", the circuit board delivers battery voltage to the Contactor coil via Wire 56. The Contactor energizes and its contacts close. Battery voltage is then delivered from the positive battery cable, across the closed contacts and to the Starter Motor via Wire 16.

Figure 5-6. Starter Contactor

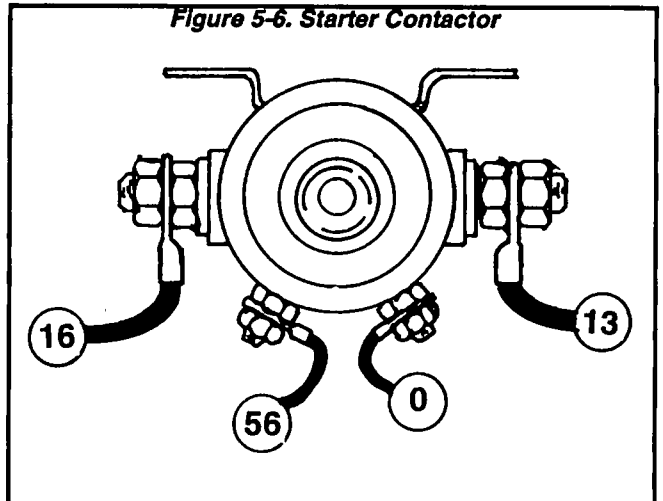
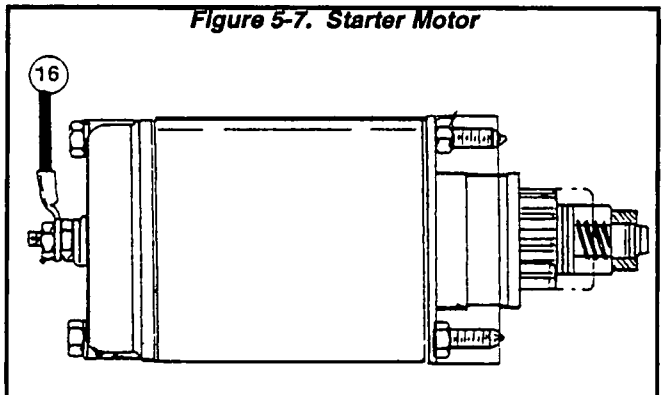


Figure 5-7. Starter Motor



# Chapter Six- TROUBLESHOOTING FLOW CHARTS

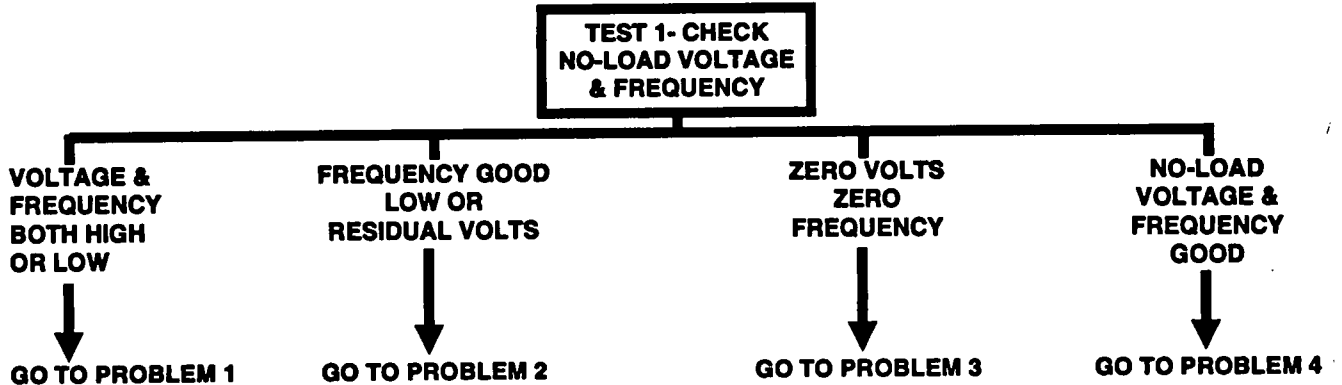
## Introduction

The "Flow Charts" in this chapter may be used in conjunction with the "Diagnostic Tests" of Chapter Seven. Numbered tests in the Flow Charts correspond to identically numbered tests of Chapter Seven.

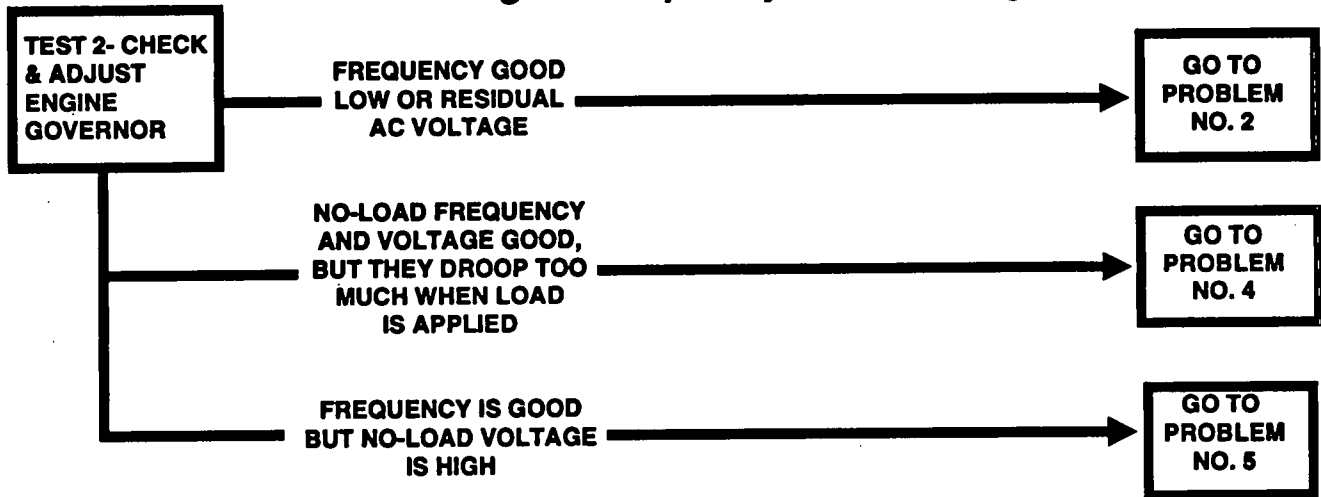
Problems 1 through 5 apply to the AC generator only.

Beginning with Problem 6, the engine DC control system is dealt with.

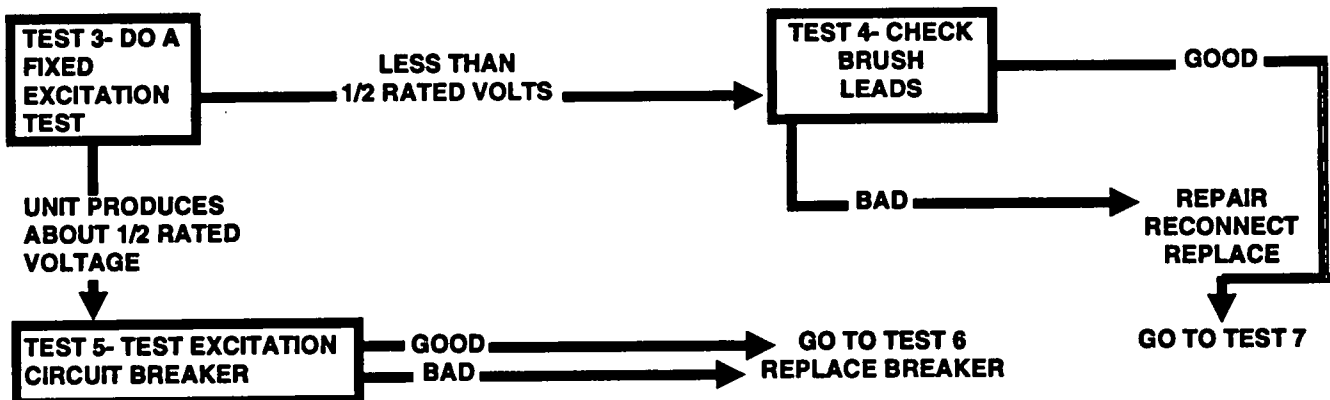
### If Problem Involves AC Generator



### Problem 1- Voltage & Frequency Are Both High or Low

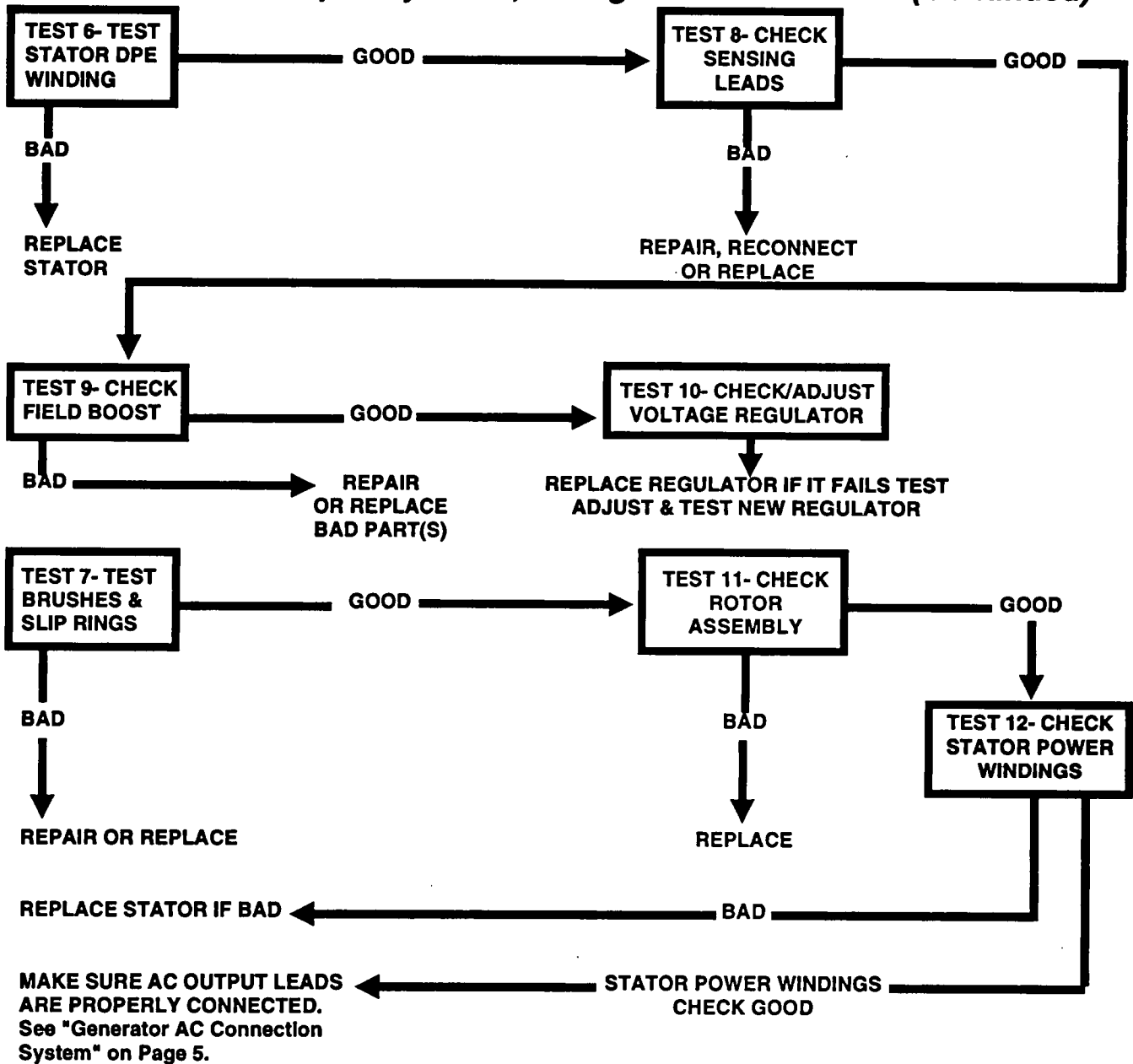


### Problem 2- Frequency Good But Voltage Low or Residual



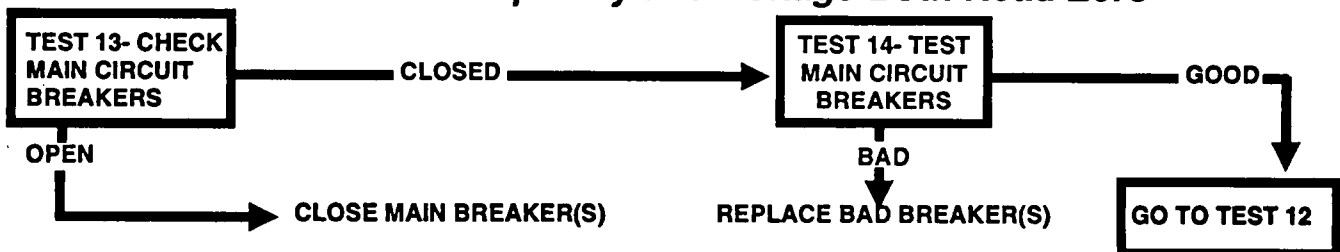
# Chapter Six- TROUBLESHOOTING FLOW CHARTS

## Problem 2- Frequency Good, Voltage Low or Residual (Continued)



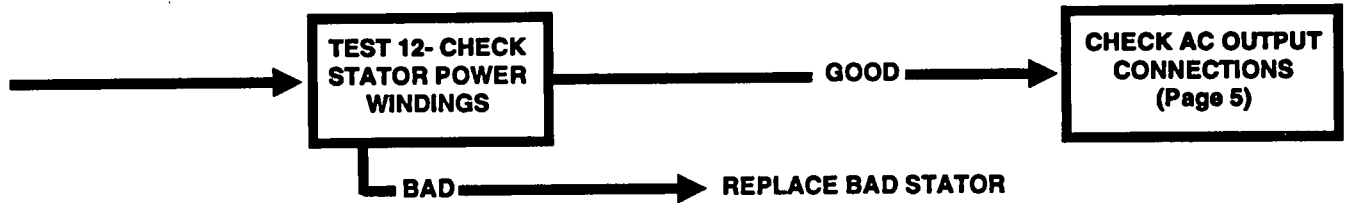
**NOTE:** The term "Low Voltage" refers to any AC output voltage that is less than rated voltage. The term "Residual Voltage" refers to AC output voltage produced by Rotor residual magnetism alone and without excitation current (about 5-12 volts AC).

## Problem 3- Frequency and Voltage Both Read Zero

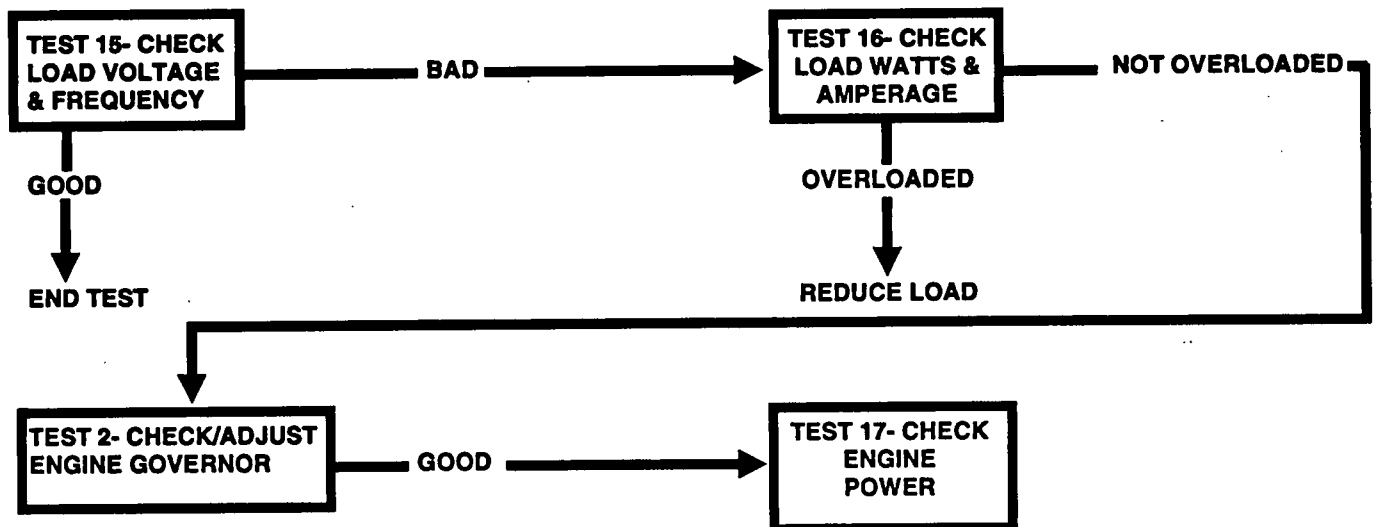


# Chapter Six- TROUBLESHOOTING FLOW CHARTS

## Problem 3- Frequency and Voltage Both Read Zero (Continued)

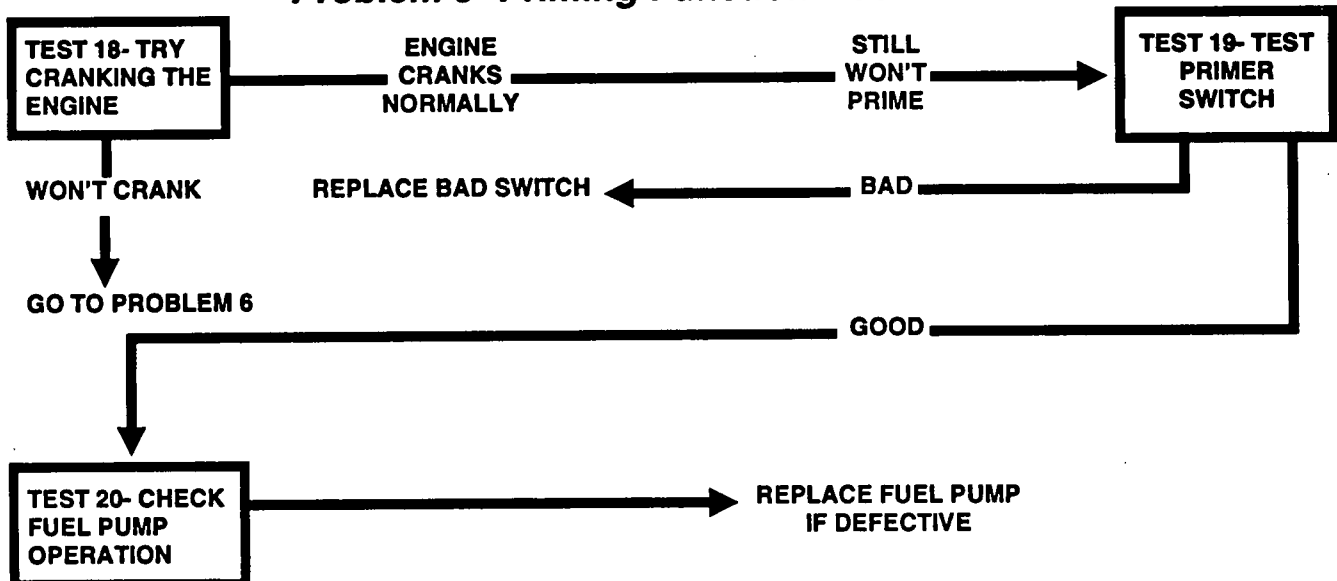


## Problem 4- Excessive Voltage/Frequency Droop When Load is Applied



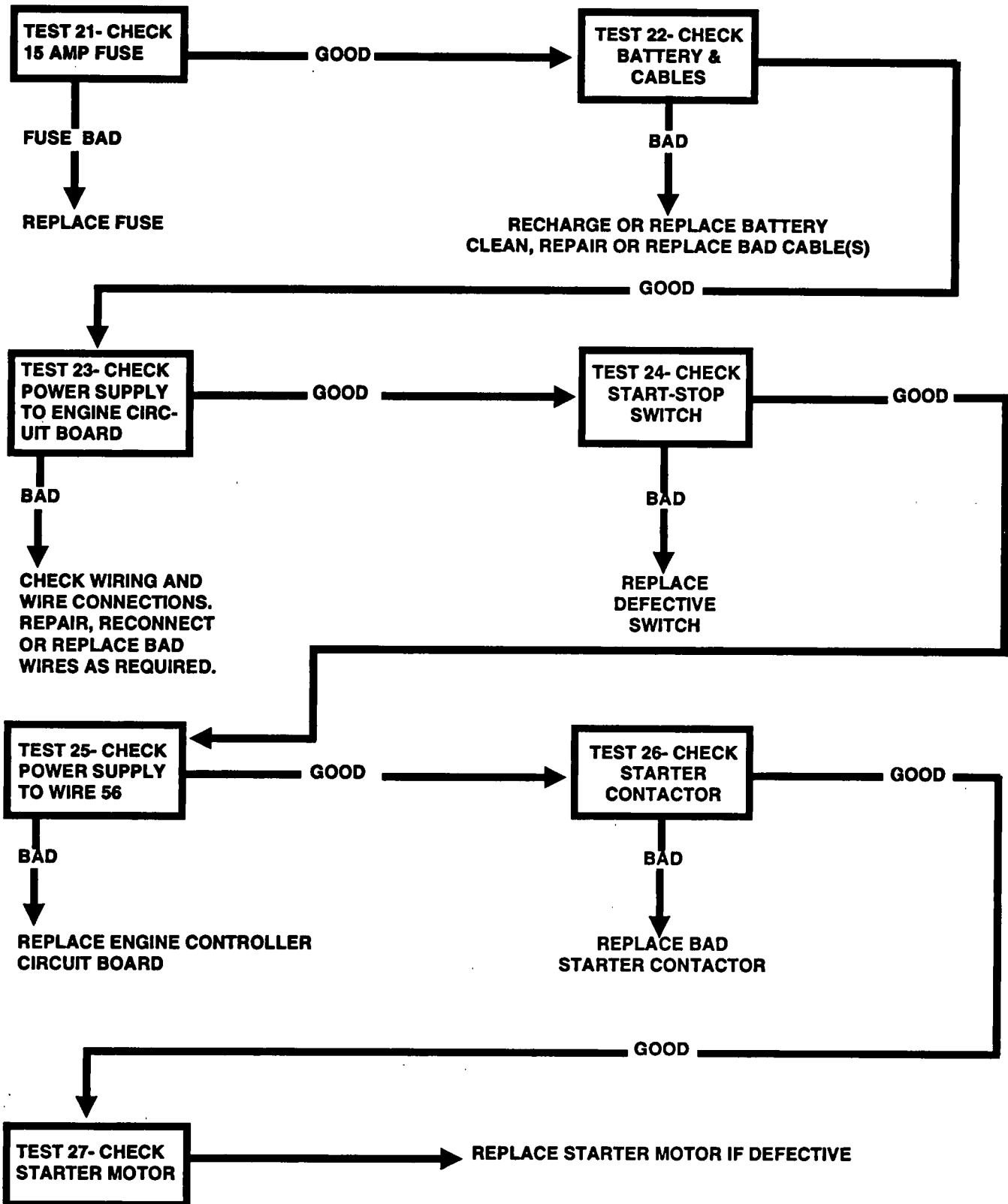
Problem 5 and up apply to the engine DC control system.

## Problem 5- Priming Function Does Not Work



# Chapter Six- TROUBLESHOOTING FLOW CHARTS

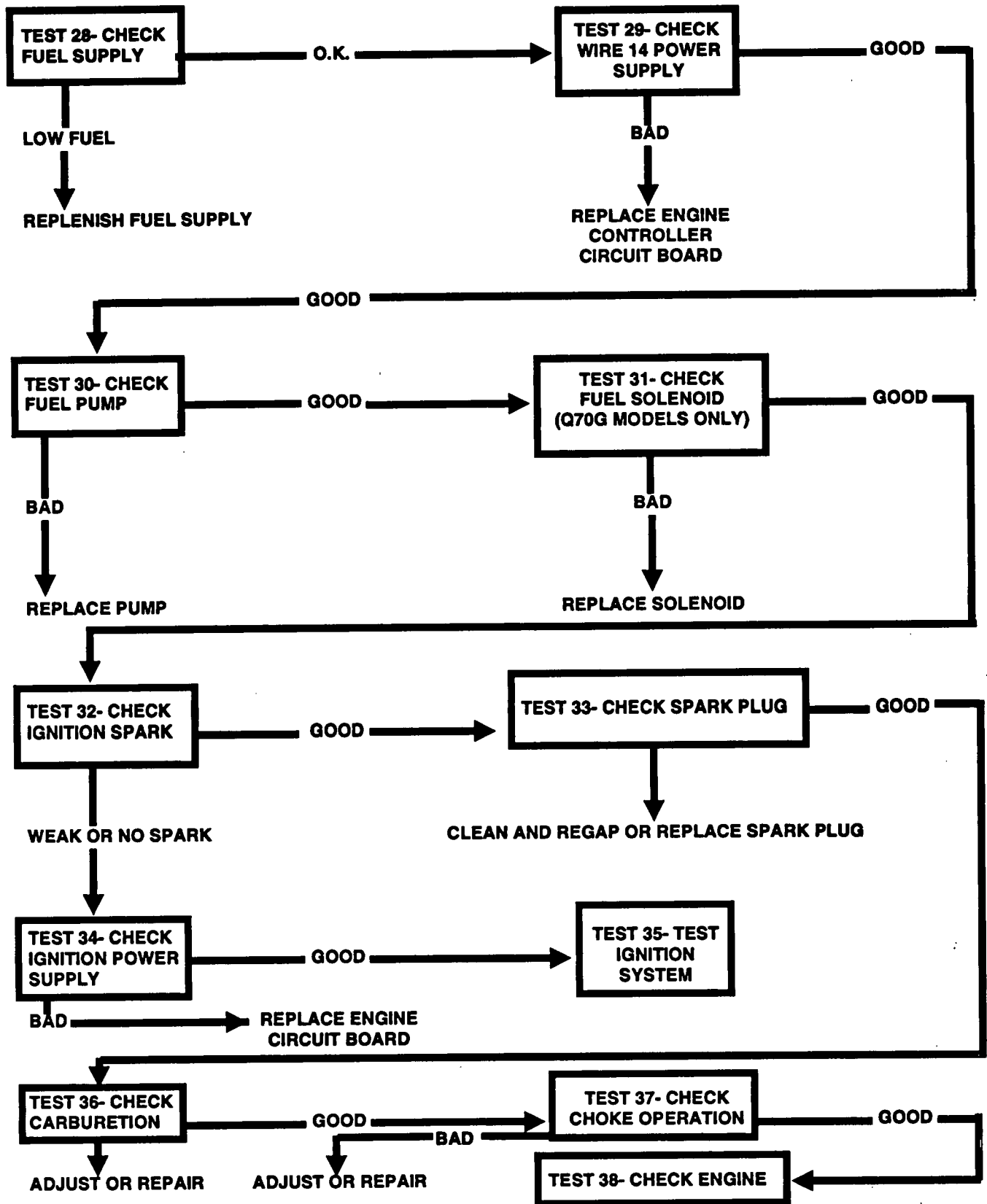
## Problem 6- Engine Will Not Crank





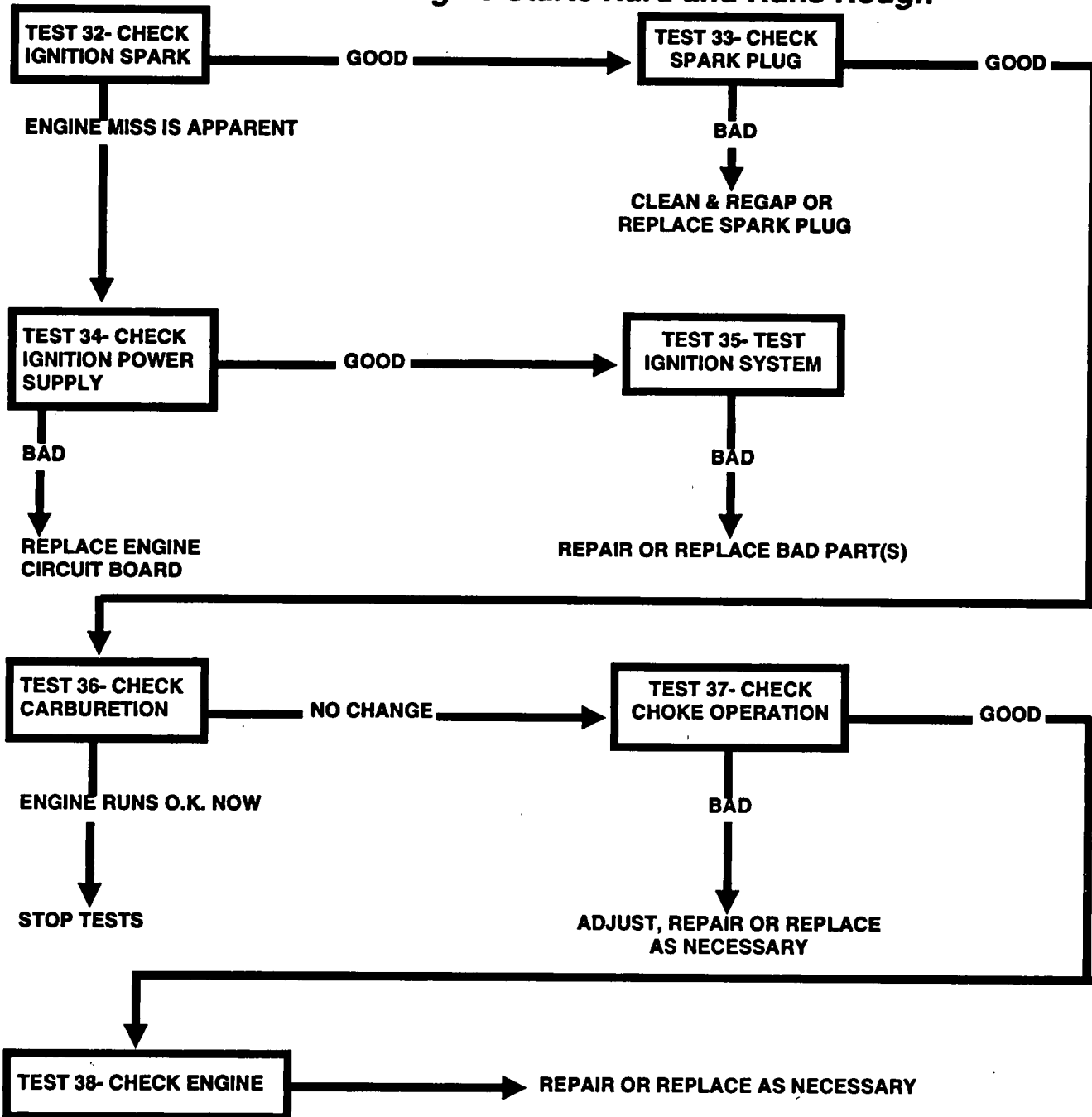
# Chapter Six- TROUBLESHOOTING FLOW CHARTS

## Problem 7- Engine Cranks But Won't Start



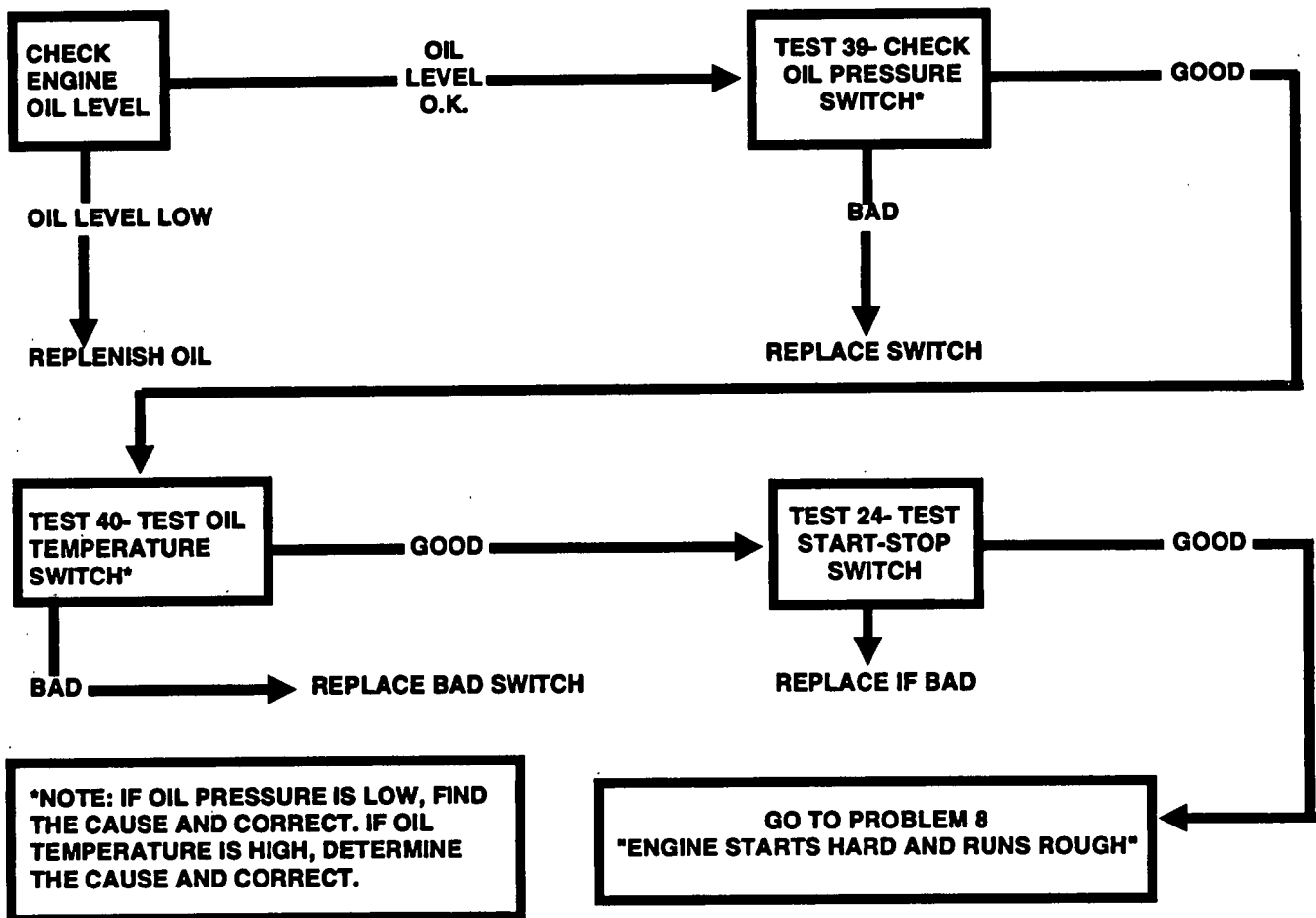
# Chapter Six- TROUBLESHOOTING FLOW CHARTS

## Problem 8- Engine Starts Hard and Runs Rough



# Chapter Six- TROUBLESHOOTING FLOW CHARTS

## Problem 9- Engine Starts and Then Shuts Down



# **Chapter Six- TROUBLESHOOTING FLOW CHARTS**

---

# Chapter Seven- DIAGNOSTIC TESTS

## Introduction

The "Diagnostic Tests" in this chapter may be performed in conjunction with the "Flow Charts" of Chapter Six. Test numbers in this chapter correspond to the numbered tests in the "Flow Charts".

Tests 1 through 17 are procedures involving problems with the AC generator's output voltage and frequency (Problems 1 through 4 in the "Flow Charts").

Tests 17 through 40 are procedures involving problems with engine operation (Problems 5 through 9 in the "Flow Charts").

You may wish to read Chapter Four, "Measuring Electricity".

**NOTE:** Test procedures in this Manual are not necessarily the only acceptable methods for diagnosing the condition of components and circuits. All possible methods that might be used for system diagnosis have not been evaluated. If you use any diagnostic method other than the method presented in this Manual, you must ensure that neither your safety nor the product's safety will be endangered by the procedure or method you have selected.

## Test 1- Check No-Load Voltage and Frequency

### DISCUSSION:

The first step in analyzing any problem with the AC generator is to determine the unit's AC output voltage and frequency. Once that has been done, you will know how to proceed with specific diagnostic tests.

The generator's AC output leads may be connected to supply either single or dual voltage output. You may wish to review "Generator AC Connection System" on Page 5.

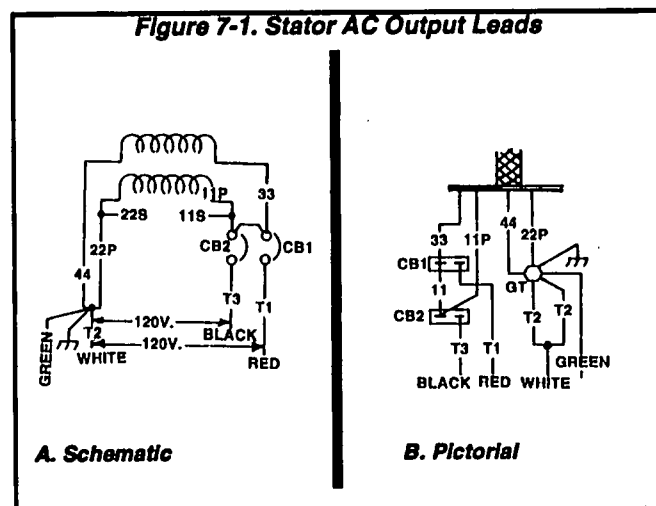
### PROCEDURE:

1. Set a volt-ohm-milliammeter (VOM) to read AC voltage. Connect the meter test leads across customer connection leads T1 (Red) and T2 (White).
2. Connect an AC frequency meter across AC output leads T3 (Black) and T2 (White).
3. Disconnect or turn OFF all electrical loads. Initial checks and adjustments are accomplished at no-load.
4. Start the engine, let it stabilize and warm up.
5. Read the AC voltage and frequency.
  - a. For units rated 60 Hertz, no-load voltage and frequency should be approximately 122-126 VAC and 61-63 Hertz respectively.
  - b. For units rated 50 Hertz, no-load voltage should be approximately 110-112 VAC at 50-52 Hertz.
6. Repeat the above with the frequency meter across T3 (Black) and T2 (White) and with the VOM across T3 (Black) and T2 (White). Frequency and voltage readings should be the same as Step 5.

### RESULTS:

1. If AC voltage and frequency are BOTH correspondingly high or low, go to Test 2.
2. If AC frequency is good but low or residual voltage is indicated, go to Test 3.
3. If AC output voltage and frequency are both "zero", go to Test 13.
4. If the no-load voltage and frequency are within the stated limits, go to Test 15.

**NOTE:** The term "low voltage" refers to any voltage reading that is lower than the unit's rated voltage. The term "residual voltage" refers to the output voltage supplied as a result of Rotor residual magnetism only (approximately 5-12 VAC).



## Test 2- Check Engine Governor

### DISCUSSION:

Rotor operating speed and AC output frequency are proportional. The generator will deliver a frequency of 60 Hertz at 3600 Rotor rpm or 62 Hertz at 3720 Rotor rpm.

The Voltage Regulator should be adjusted to deliver 120 VAC (line-to-neutral) at a frequency of 60 Hertz; or 124 VAC (line-to-neutral) at 62 Hertz. It is apparent that, if governed speed is high or low, AC frequency and voltage will be correspondingly high or low. Governed speed at no-load is usually set slightly above the rated speed of 60 Hertz (to 62 Hertz), to prevent excessive rpm, frequency and voltage droop under heavy electrical loading.

**NOTE:** Generator Models 9712-0 and 9712-1 are powered by a single cylinder GN-360 engine. Other applicable models are powered by a V-Twin engine. Governor adjustment procedures for both engines will be discussed in the following procedure.

# Chapter Seven- DIAGNOSTIC TESTS

## Test 2- Check Engine Governor (Continued)

### PROCEDURE FOR V-TWIN ENGINE:

1. For gasoline fuel systems, adjust the carburetor as follows:
  - a. Turn the IDLE MIXTURE VALVE clockwise until it just seats. DO NOT FORCE.
  - b. Turn the IDLE MIXTURE VALVE counterclockwise 1-1/4 turns. This setting will allow the engine to be started and warmed up, at which time final adjustment can be completed.
2. For units with gaseous fuel system, complete adjustment of the load block prior to start.
  - a. Turn both the IDLE ADJUST and the SLOTTED ADJUSTMENT clockwise until they are softly seated. DO NOT FORCE.
  - b. For units rated 6600, 7000 and 7200 watts, turn both adjustments counterclockwise 1-1/2 turns.
  - c. For units rated 5000, 5200 and 5500 watts, turn both adjustments counterclockwise 2 turns.
  - d. Hold the adjustment and tighten the LOAD BLOCK LOCK NUT.

The above load block adjustment should allow the engine to be started, when final adjustment can be made.

#### CAUTION!

The static governor adjustment outlined in Step 3 must be made following governor maintenance before the engine is started. Failure to complete the adjustment could result in overspeeding of the engine. Such overspeeding could result in engine damage, personal injury or property damage. All linkage MUST be installed to make this adjustment.

3. Complete a STATIC GOVERNOR adjustment as follows:

- a. See Figure 7-4. Loosen the GOVERNOR CLAMP NUT.
- b. Push the GOVERNOR LEVER until the throttle is wide open. DO NOT BEND THE GOVERNOR LINK.
- c. Hold the GOVERNOR LEVER in the "wide open throttle" position and rotate the GOVERNOR SHAFT counterclockwise (CCW) as far as it will go.
- d. While holding the GOVERNOR SHAFT in its full counterclockwise position, tighten the GOVERNOR CLAMP NUT to 70 inch-pounds (8 N-m).

**NOTE:** Clearance is limited on ducted engines. A standard torque wrench and socket may not work. An M6 crows foot wrench will allow proper torquing.

4. Adjust the governor as follows:

Figure 7-2. Carburetor Adjustment (V-Twin)

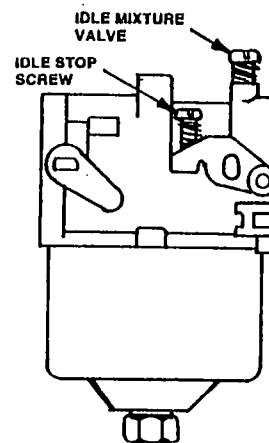


Figure 7-3. Load Block Adjustment (Gaseous)

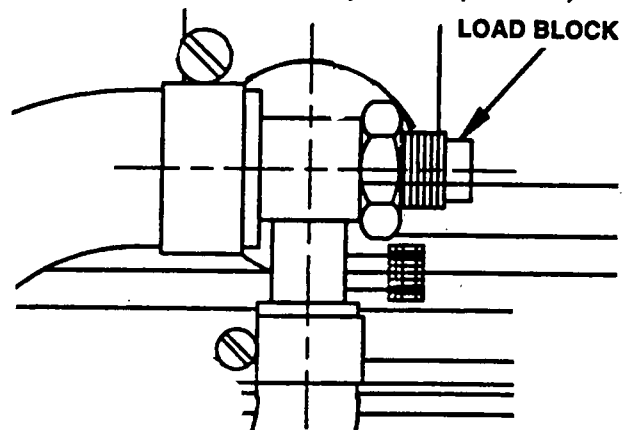
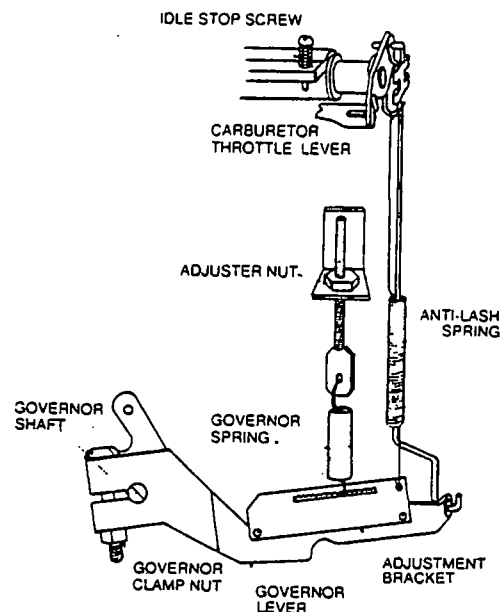


Figure 7-4. Governor Adjustment (V-Twin)



# Chapter Seven- DIAGNOSTIC TESTS

- a. Inspect the ANTI-LASH SPRING. Make sure it is not broken or disengaged.
- b. Connect an accurate AC frequency meter to the generator's AC output leads.
- c. Start the engine, let it stabilize and warm up at no-load.
- d. Turn the ADJUSTER NUT to obtain a frequency reading as close as possible to 62 Hertz for units rated 60 Hertz; or 51 Hertz for units rated 50 Hertz.
- e. Apply an electrical load as close as possible to the unit's full rated wattage/ampere capacity. With load applied, note the amount of frequency droop. Also note whether excessive hunting occurs when the load is removed.

(1) If frequency droops below 58 Hertz when the load is applied, disconnect the load. Then, move the GOVERNOR SPRING in the ADJUSTMENT BRACKET closer to the ANTI-LASH SPRING.

(2) Readjust the ADJUSTER NUT to obtain a no-load frequency as close as possible to 62 Hertz (60 Hertz units); or 51 Hertz (50 Hertz units).

(3) Again apply a load and check for droop and hunting.

(4) Continue the above procedure until (a) no load speed is correct, (b) excessive droop under load does not occur, and (c) excessive hunting does not occur when the load is removed.

**NOTE:** Final carburetor adjustments may be required for best results. Units with gaseous fuel system may require final load block adjustments.

## PROCEDURE FOR GN-360 ENGINE:

1. Before starting the engine, complete initial adjustment of the governor as follows (Figure 7-5):

a. Loosen the GOVERNOR LEVER CLAMP BOLT.

b. Hold the GOVERNOR LEVER at its full "INC. RPM" position and rotate the GOVERNOR SHAFT clockwise as far as it will go. Then, tighten the GOVERNOR LEVER CLAMP BOLT to 70 inch-pounds (8 N-m).

2. Connect an AC frequency meter across the generator's AC output leads.

3. Turn OFF or disconnect all electrical loads. Then, start the engine, let it stabilize and warm up. Finally, adjust the governor as follows:

a. Check the AC frequency reading.

(1) For units rated 60 Hertz, the no-load frequency should be 61.5-63.5 Hertz.

(2) For units rated 50 Hertz, frequency should be 50.5-51.5 Hertz.

b. If frequency is incorrect, turn the SPEED ADJUST NUT (Figure 7-5) until correct frequency is obtained.

Figure 7-5. Governor Adjustment (GN-360 Engine)

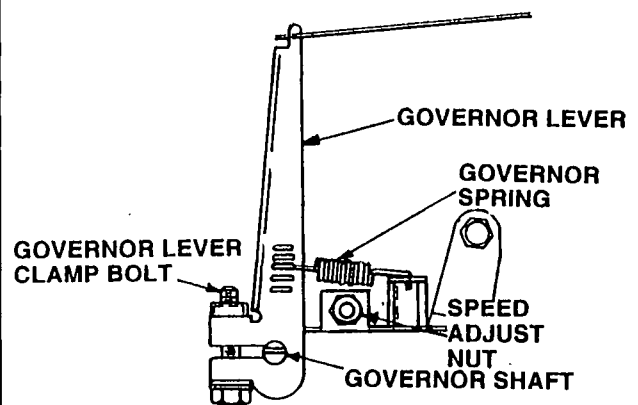
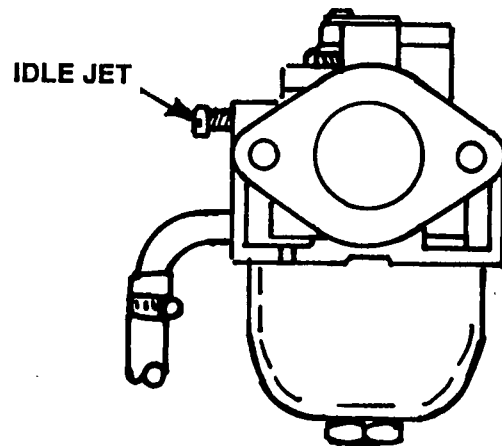


Figure 7-6. Carburetor Adjustment (GN-360 Engine)



c. If frequency is unstable, turn the IDLE JET on carburetor (Figure 7-6) until engine stabilizes. DO NOT TURN THE IDLE JET FURTHER THAN NECESSARY.

3. Apply a load as close as possible to the unit's maximum rated wattage capacity. Then, adjust the carburetor as follows:

a. If carburetor has a fixed main jet, slowly adjust the carburetor IDLE JET to obtain the best operation and highest rpm under load.

b. If the carburetor has an ADJUSTABLE main jet, adjust it as follows:

(1) Loosen the main jet LOCKNUT at bottom of carburetor.

(2) Slowly turn the main jet counterclockwise (richer) until frequency (rpm) starts to drop off.

(3) Turn the main jet clockwise (leaner) until frequency again starts to drop off.

(4) Finally, turn the main jet counterclockwise until the best and most stable frequency (rpm) is obtained.

# Chapter Seven- DIAGNOSTIC TESTS

## Test 2- Check Engine Governor (Continued)

### PROCEDURE FOR GN-360 ENGINE (CONT'D):

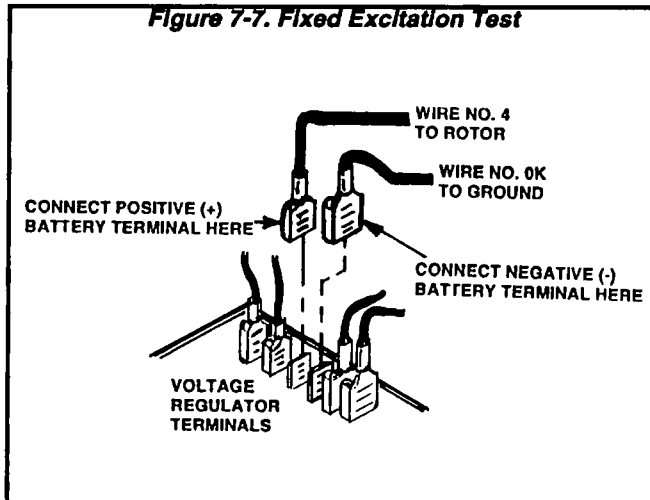
- (5) Hold the adjustment of Step (5) and tighten the main jet LOCKNUT.
- (6) Turn OFF or disconnect all electrical loads and repeat Step 3.

## Test 3- Do a Fixed Excitation Test

### DISCUSSION:

The fixed excitation test consists of applying battery voltage (12 VDC) to the Rotor windings. This allows that portion of the excitation circuit between the Voltage Regulator and the Rotor (including the Rotor itself) to be checked as a possible cause of the problem. When battery voltage is applied to the Rotor, the resulting magnetic field around the Rotor should induce a Stator power winding voltage equal to about one-half the unit's rated output voltage.

Figure 7-7. Fixed Excitation Test



### PROCEDURE:

1. Connect a jumper wire to the positive (+) terminal of a 12 volt battery. Do NOT connect the other end of this wire now. Set the wire in a safe place where it will not make contact and cause arcing.
2. Disconnect Wires No. 4 and 0K from the Voltage Regulator (inside the generator panel).
3. Connect a second jumper wire to the negative (-) terminal of the 12 volt battery. Connect the opposite end of this jumper wire to the Wire No. 0K that was disconnected from the Regulator.
4. Connect the test leads of an AC voltmeter or a volt-ohm-milliammeter (VOM) across the generator's AC output leads.
5. Start the generator engine, let it stabilize and warm up.
6. Connect the jumper wire from the positive (+) battery terminal to Wire No. 4 (previously disconnected from the Regulator). The voltmeter or VOM

should indicate approximately 45-55 percent of the unit's rated voltage.

7. Stop the engine and reconnect Wires 4 and 0K to the Voltage Regulator.

### RESULTS:

1. If AC voltage reading is less than 55-65 percent of rated voltage, go to Test 4. (The brush leads, brushes and slip rings, and the Rotor are suspect.)
2. If AC output voltage is about 55-65 percent of rated voltage, go to Test 5. (The Stator excitation windings, excitation circuit breaker, Voltage Regulator and interconnecting wires are suspect.)

## Test 4- Check Brush Leads

### DISCUSSION:

In Test 3, if application of battery voltage to the Rotor did NOT result in an output of about one-half rated voltage, the brush leads could be one possible cause of the problem. This test will check Wires 4 and 0K, as well as the negative brush ground lead, for open circuit.

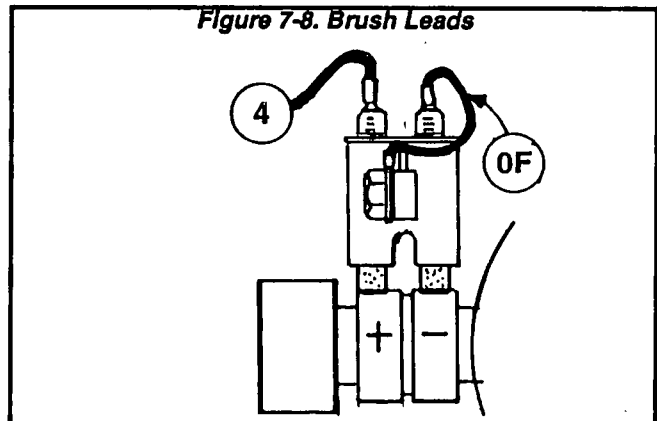
### PROCEDURE:

1. Set a VOM to its "Rx1" scale and zero the meter.
2. Disconnect Wire No. 4 (Red) from the Voltage Regulator and from the Rotor brush terminal.
3. Connect the VOM test leads across the ends of the wire. The meter should read "continuity".
4. Disconnect Wire No. 0K from the Voltage Regulator.
  - a. Connect the meter test leads across terminal end of Wire 0K and the 4-tab grounding terminal to which opposite end of wire attaches.
  - b. The meter should read "continuity".
5. Check the short length of Wire 0F, between the brush negative (-) terminal and brush holder mounting screw, for "continuity".

### RESULTS:

1. Repair, reconnect or replace any defective wire(s).
2. If wires check good, go to Test 7.

Figure 7-8. Brush Leads





# Chapter Seven- DIAGNOSTIC TESTS

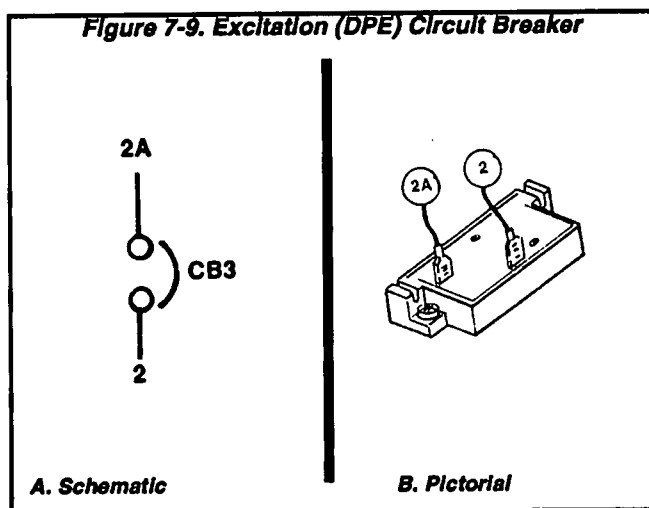
## Test 5- Test Excitation Circuit Breaker

### DISCUSSION:

This circuit breaker is normally-closed and self-resetting. It will open in the event of high voltage from the Stator excitation (DPE) winding. The breaker should re-close when excitation winding output voltage to the Voltage Regulator drops to normal.

When the breaker is open, excitation current to the Regulator (and to the Rotor) will be lost. The unit's AC output voltage will then drop to a value that is commensurate with the Rotor's residual magnetism (about 5-12 volts AC). This test will determine if the breaker has failed in its open position.

Figure 7-9. Excitation (DPE) Circuit Breaker



### PROCEDURE:

1. Set a volt-ohm-milliammeter (VOM) to its "Rx1" scale and zero the meter.
2. In the generator panel, locate the excitation circuit breaker. Disconnect Wires No. 2 and 2A from the breaker terminals.
3. Connect the meter test leads across the two circuit breaker terminals. The meter should indicate "continuity".

### RESULTS:

1. If the meter did NOT read "continuity", replace the excitation (DPE) circuit breaker.
2. If "continuity" was indicated, go to Test 6.

## Test 6- Test Stator DPE Winding

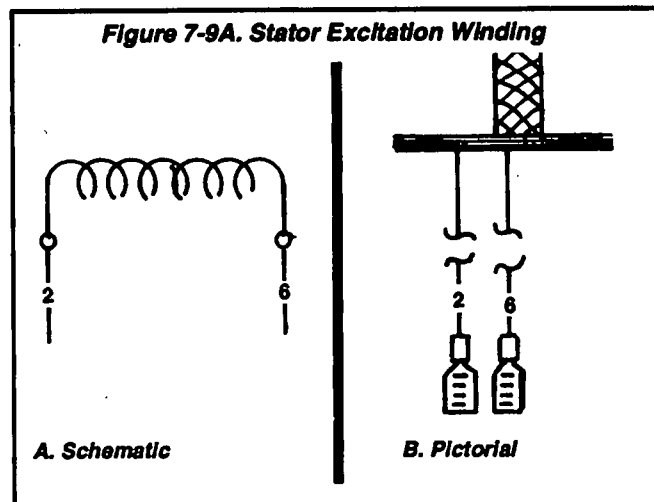
### DISCUSSION:

An open circuit in the Stator excitation windings will result in a loss of unregulated excitation current to the Voltage Regulator. The flow of regulated excitation current to the Rotor will then terminate and the unit's AC output voltage will drop to a value

that is commensurate with the Rotor's residual magnetism.

A shorted condition in the excitation windings will result in partial loss of excitation current to the Regulator and to the Rotor. A badly shorted winding can cause overheating and damage to Stator windings.

Figure 7-9A. Stator Excitation Winding



### PROCEDURE:

1. Disconnect Wire No. 2 from the excitation circuit breaker.
2. Disconnect Wire No. 6 from the Voltage Regulator.
3. Set a VOM to its "Rx1" scale and zero the meter.
4. Connect the VOM test leads across the terminal ends of Wires No. 2 and 6. The VOM should indicate the resistance of the Stator excitation (DPE) windings.

NOMINAL RESISTANCE OF STATOR DPE WINDINGS*						
UNIT RATED WATTS	5000	5200	5500	6600	7000	7200
OHMS	1.43	1.43	1.43	1.60	1.55	1.55

\* Resistance values in ohms at 20° C. (68° F.). Actual readings may vary depending on ambient temperature. A tolerance of plus or minus 5% is allowed.

5. Now, set the meter to its "Rx1K" or "Rx10,000" scale and zero the meter. Test for a "short-to-ground" condition as follows:
  - a. Connect one meter test lead to Stator lead No. 2, the other test lead to a clean frame ground.
  - b. The meter should read "Infinity". Any other reading indicates a "short-to-ground" condition and the Stator should be replaced.
6. Test for a short between windings as follows:
  - a. Meter should be set to its "Rx1K" or "Rx10,000" scale.

# Chapter Seven- DIAGNOSTIC TESTS

## Test 6- Test Stator DPE Winding (Continued)

### PROCEDURE (CONT'D):

- b. Connect one meter test lead to Stator Wire No. 2, the other test lead to Stator lead No. 11. The meter should read "Infinity".
- c. Connect one VOM test lead to Stator lead No. 2 the other test lead to Stator lead No. 33. "Infinity" should be indicated.

### RESULTS:

1. If the Stator excitation (DPE) windings are open or shorted, replace the Stator assembly.
2. If the excitation windings are good, go to Test 8.

## Test 7- Test Brushes & Slip Rings

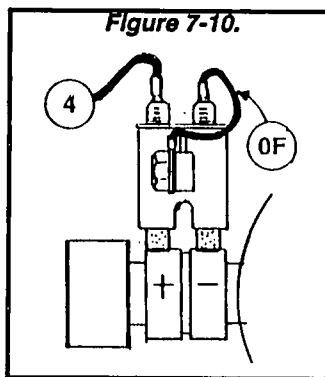
### DISCUSSION:

Brushes and slip rings are made of special materials that will provide hundreds of hours of service with little wear. However, when the generator has been idle for some time, an oxide film can develop on the slip rings. This film acts as an insulator and impedes the flow of excitation current to the Rotor.

If Test 3 resulted in less than one-half rated output voltage, it is possible that the brushes and slip rings are at fault.

### PROCEDURE:

1. Gain access to the brushes and slip rings.
2. Remove Wire No. 4 (Red) from the positive (+) brush.
3. Remove the ground wire (0F) from the negative (-) brush.
4. Remove the brush holder, with brushes.
5. Inspect the brushes for excessive wear, damage, cracks, chipping, etc.
6. Inspect the brush holder, replace if damaged.
7. Inspect the slip rings.
  - a. If slip rings appear dull or tarnished they may be cleaned and polished with fine sandpaper. **DO NOT USE ANY METALLIC GRIT TO CLEAN SLIP RINGS.**
  - b. After cleaning slip rings, blow away any sandpaper residue.



### RESULTS:

1. Replace bad brushes. Clean slip rings, if necessary.
2. If brushes and rings are good, go to Test 11.

## Test 8- Check Sensing Leads

### DISCUSSION:

The Voltage Regulator "regulates" excitation current flow to the Rotor by electronically comparing actual (sensing) voltage to a pre-set reference voltage. The actual (sensing) voltage is delivered to the Regulator via Wires 11S and 22S.

If an open circuit exists in sensing leads 11S or 22S, the normal reaction of an unprotected Regulator would be to increase the excitation current to the Rotor, in an effort to increase the actual AC output voltage. This would result in a "full field" condition and an extremely high AC output voltage.

To protect the system against such a high AC output voltage, the Voltage Regulator on NP and Q-Series units will shut down if sensing voltage signals are lost.

If the regulator shuts down, the generator's AC output voltage will decrease to a value that is commensurate with the Rotor's residual magnetism (about 5-12 VAC).

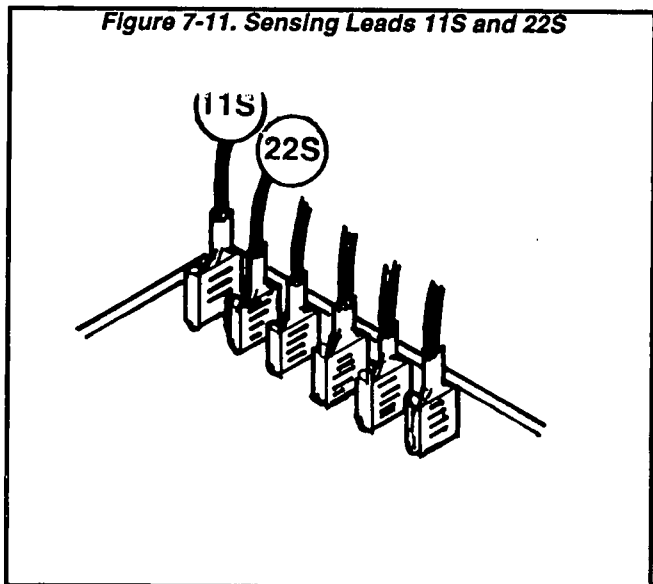
### PROCEDURE:

1. Inspect Wires 11S and 22S where they connect to the Voltage Regulator terminals. Make sure they are properly connected.
2. Disconnect Wires 11S and 22S from the Regulator.
3. Set a VOM to its "Rx1" scale and zero the meter.
4. Connect the meter test leads across Wires 11S and 22S. The meter should indicate Stator power winding resistance (see Test 12).

### RESULTS:

1. Repair, reconnect or replace sensing leads 11S and 22S as necessary.
2. If the sensing leads are good, go on to Test 9.

Figure 7-11. Sensing Leads 11S and 22S



# Chapter Seven- DIAGNOSTIC TESTS

## Test 9- Check Field Boost

### DISCUSSION:

Field boost current (about 9-10 VDC) is delivered to the Rotor only while the engine is being cranked. This current helps ensure that adequate "pickup" voltage is available to turn the Voltage Regulator on and build AC output voltage.

Loss of the field boost function may or may not result in a problem with AC output voltage. If the Rotor's residual magnetism is sufficient to turn the Regulator on, loss of the function may go unnoticed. However, if the Rotor's residual magnetism is not enough to turn the Regulator on, loss of field boost can result in failure of the unit to generate an output voltage.

### PROCEDURE:

1. On one end of the large Starter Contactor studs, locate the Starter Motor cable and a single Wire 16 to the Engine Controller circuit board. Disconnect the large Starter Motor cable and the Wire 16 from the stud.
2. Set a VOM to read battery voltage. Then, connect the meter test leads as follows:
  - a. Connect the positive (+) meter test lead to the Wire 4 (Red) terminal of the brush.
  - b. Connect the common (-) meter test lead to the negative (-) or grounded brush terminal.
3. Locate the Wire 16 that was routed from the Starter Contactor to the Engine Controller circuit board.
  - a. Connect this Wire 16 to the large Starter Contactor stud to which the battery cable (Wire 13) is attached.
  - b. The meter should read about 9-10 VDC.
4. If voltage is NOT indicated in Step 3, proceed as follows:
  - a. Connect the meter positive (+) test lead to the Wire 4 terminal of the Voltage Regulator; the common (-) test lead to the Regulator's Wire 0K terminal. Connect Wire 16 from the Engine Controller circuit board to the Starter Contactor's battery cable terminal stud. The meter should read 9-10 VDC.
  - b. Connect the VOM positive (+) test lead to the Wire 4 terminal of the Engine Controller circuit board; the common (-) test lead to the board's Wire 0 terminal. Now, connect Wire 16 from the Engine Controller circuit board to the Starter Contactor's battery cable stud. The meter should read 9-10 VDC.

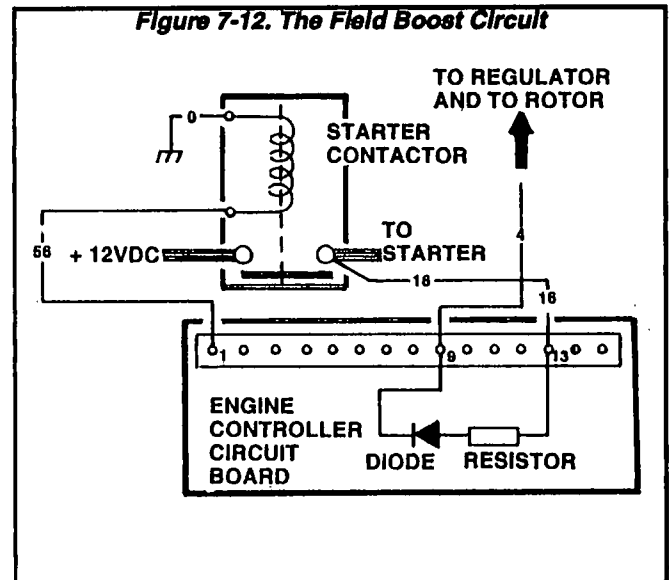
### RESULTS:

1. If the meter indicated 9-10 VDC in Step 3, you may assume the Field Boost circuit is working properly. Go to Test 10.
2. If 9-10 VDC was indicated in Step 4(a), but NOT in Step 3, Wire 4 (Red) between the Regulator and the positive brush is open.

3. If 9-10 VDC is indicated in Step 4(b) but NOT in Step 4(a), Wire 4 between the Engine Controller board and the Voltage Regulator is open.

4. If 9-10 VDC was NOT indicated in Step 4(b), check Wire 16 between the Starter Contactor and the Engine Controller board.

- a. If Wire 16 is bad, replace it.
- b. If Wire 16 is NOT bad, replace the Engine Controller circuit board.



## Test 10- Check/Adjust Voltage Regulator

### DISCUSSION:

Failure or shutdown of the Voltage Regulator will usually result in loss of excitation current to the Rotor windings. Without excitation current, only residual magnetism will be present in the Rotor and AC output voltage will drop to a value that is commensurate with residual magnetism (approximately 7-12 volts AC).

The Regulator mounts an LED (light emitting diode) which is turned on during operation by sensing voltage (from Wires 11S and 22S). The lamp should be ON during operation.

### PROCEDURE:

It is very difficult, if not impossible to test a voltage regulator in the field.

If a problem exists with the generator's AC output, first determine exactly what the problem is. Refer to Chapter Six, "TROUBLESHOOTING FLOW CHARTS". Test the unit in exactly the sequence given in the appropriate FLOW CHART. If all tests in the FLOW CHART have been performed and the cause of the problem has not been determined, it is safe to assume that the cause of the problem is a defective voltage regulator.

# Chapter Seven- DIAGNOSTIC TESTS

## Test 10- Check/Adjust Voltage Regulator (Continued)

### PROCEDURE (CONT'D):

In most cases, failure of the regulator will show itself as low or "residual" AC output frequency. See Problem 2 on Page 19, i.e., "Frequency Good but Voltage Low or Residual". When this is the problem, proceed as follows:

1. Perform Test 3, "Do a Fixed Excitation Test".
  - a. This test involves applying 12 volts DC directly to the Rotor windings, via the brushes and slip rings.
  - b. The test allows the problem to be isolated to specific areas of the excitation circuit.
2. If, with the fixed excitation voltage applied, the unit supplies about one-half rated AC output voltage, the problem could be caused by any of the following:
  - a. Excitation circuit breaker open (Test 5).
  - b. Defective Stator excitation (DPE) winding (Test 6).
  - c. Open or shorted sensing leads to the regulator (Test 8).
  - d. Defective field boost system (Test 9).
  - e. A defective voltage regulator.

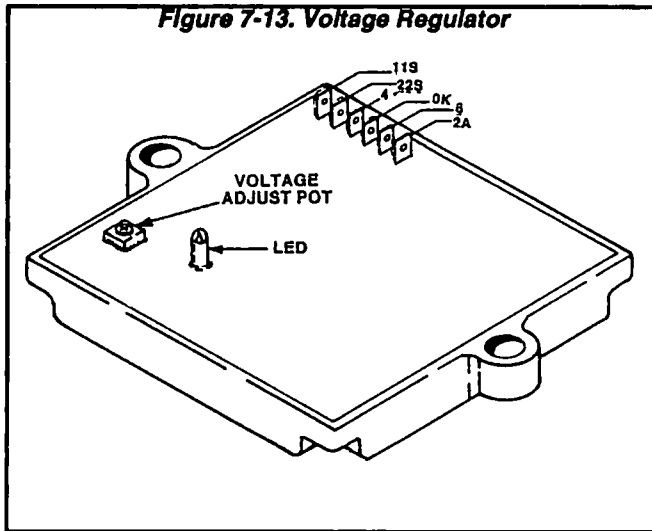


Figure 7-13. Voltage Regulator

## Test 11- Check Rotor Assembly

### DISCUSSION:

During the "Fixed Excitation" test (Test 3), if AC output voltage did not come up to about one-half rated volts, one possible cause might be a defective Rotor. The Rotor can be tested for an open or shorted condition using a volt-ohm-milliammeter (VOM).

Also see Chapter Three, "INSULATION RESISTANCE TESTS".

### PROCEDURE:

To gain access to the brushes and slip rings, remove the upper generator cover. Disconnect Wire 4 (Red) and Wire OF from their respective brushes. Then, test the Rotor as follows:

1. Set a VOM to its "Rx1" scale and zero the meter.
2. Connect the positive (+) meter test lead to the positive (+) slip ring (nearest the Rotor bearing). Connect the common (-) test lead to the negative (-) slip ring. Read the resistance of the Rotor windings, in OHMS.

### ROTOR RESISTANCE (Ohms at 20° C.)

UNIT RATED WATTS	5000	5200	5500	6600	7000	7200
OHMS	15.5	15.5	15.5	10.81	11.3	11.3

3. Set the VOM to its "Rx1K" or "Rx10,000" scale and zero the meter.
4. Connect the positive (+) meter test lead to the positive (+) slip ring, the common (-) test lead to a clean frame ground (such as the Rotor shaft). The meter should read "Infinity".

### RESULTS:

1. Replace the Rotor if it fails the test.
2. If Rotor checks good, go to Test 12.

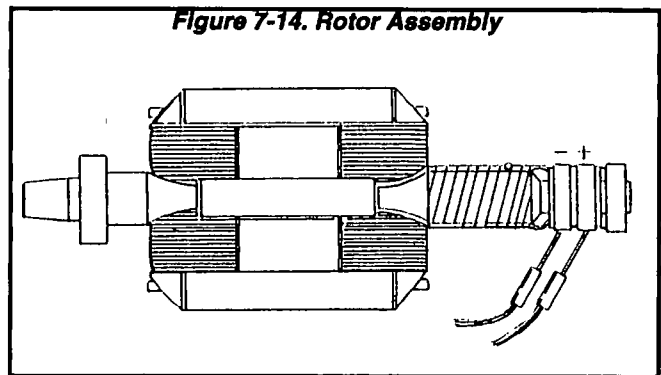


Figure 7-14. Rotor Assembly

## Test 12- Check Stator Power Windings

### DISCUSSION:

See "Generator AC Connection System", Page 5.

### PROCEDURE:

Gain access to the generator panel interior. Test the Stator power windings, as follows:

1. From main breaker, disconnect Wires 11P and 33.
2. Also disconnect Wires 22P and 44 from the 4-tab ground terminal.
3. Disconnect Wires 11S and 22S from the Voltage Regulator.

# Chapter Seven- DIAGNOSTIC TESTS

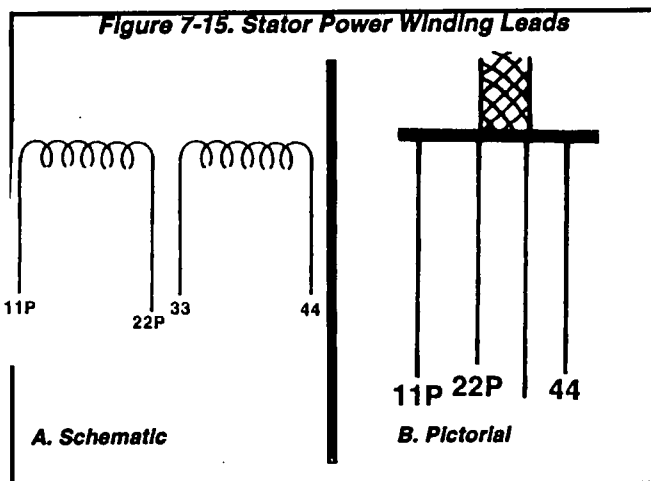
4. Set a VOM to its "Rx1" scale and zero the meter.
5. Connect the meter test leads across Stator leads 11P and 22P. Normal power winding resistance should be read.
6. Connect the meter test leads across Stator leads 33 and 44. Normal power winding resistance should be read.

AC POWER WINDING RESISTANCE (Ohms @ 20° C.)						
UNIT RATED WATTS	5000	5200	5500	6600	7000	7200
OHMS	0.29	0.29	0.29	0.23	0.21	0.21

7. Now, set the VOM to its "Rx1K" or "Rx10,000" scale and zero the meter.
8. Connect the meter test leads across Stator lead 11P and frame ground. "Infinity" should be read.
9. Connect the meter test leads across Stator lead 33 and frame ground. The reading should be "Infinity".

### RESULTS:

1. Replace Stator assembly if the power windings fail the test.
2. If the power windings check good, connect the power winding AC output leads. Make sure the leads are properly connected.



## Test 13- Check Main Circuit Breakers

### DISCUSSION:

The main circuit breakers on the generator panel must be closed or no output to the load will be available. Depending on the wattage rating, some models are equipped with a 30 amp and a 20 amp main breaker; other models may have two 30 amp

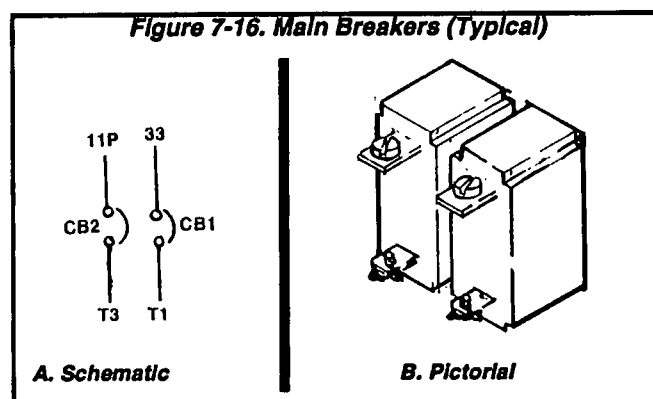
breakers. If the unit has been reconnected for dual voltage output, a 2-pole breaker rated at a different amperage may be installed.

### PROCEDURE:

Check that the appropriate main breaker on the generator panel is set to its "ON" (closed) position.

### RESULTS:

1. If breaker(s) are "ON" and AC output is still not available, go to Test 14.
2. If breaker(s) are "OFF", reset to the "ON" position and check for AC output.



## Test 14- Test Main Circuit Breakers

### DISCUSSION:

A defective breaker may not be able to pass current even though it is in the "ON" position.

### PROCEDURE:

With the breaker "ON" (closed), use a VOM to check for "continuity" across the breaker terminals.

### RESULTS:

1. Remove and replace any defective breaker(s).
2. If the breaker tests bad, replace it.

## Test 15- Check Load Voltage & Frequency

### DISCUSSION:

If engine speed appears to drop off excessively when electrical loads are applied to the generator, the load voltage and frequency should be checked.

### PROCEDURE:

Perform this test in the same manner as Test 1, but apply a load to the generator equal to its rated capacity. With load applied check voltage and frequency.

# Chapter Seven- DIAGNOSTIC TESTS

## Test 15- Check Load Voltage & Frequency (Continued)

Frequency should not drop below about 58 Hertz with the load applied.

Voltage should not drop below about 115 VAC with load applied.

### RESULTS:

1. If voltage and/or frequency droop excessively when the load is applied, go to Test 16.
2. If load voltage and frequency are within limits, end tests.

## Test 16- Check Load Watts & Amperage

### DISCUSSION:

This test will determine if the generator's rated wattage/amperage capacity has been exceeded. Continuous electrical loading should not be greater than the unit's rated capacity.

### PROCEDURE:

Add up the wattages or amperages of all loads powered by the generator at one time. If desired, a clamp-on ammeter may be used to measure current flow. See "Measuring Current" on Page 14.

### RESULTS:

1. If the unit is overloaded, reduce the load.
2. If load is within limits, but frequency and voltage still drop excessively, complete Test 2, "Check/Adjust Engine Governor". If governor adjustment does not correct the problem, go to Test 17.

## Test 17- Check Engine Power

### DISCUSSION:

Excessive rpm, frequency and voltage droop may be caused by an engine that has lost power.

### PROCEDURE:

Refer to Problem 8 on Page 24 of the "Flow Charts". Start with Test 32 and continue the tests in sequence until the cause of the problem is found (through Test 38, if necessary).

**NOTE:** Tests 18 through 40 are tests of the engine systems. See Problem 5 through 9 in the "Flow Charts" (Chapter Six).

## Test 18- Try Cranking the Engine

### DISCUSSION:

If the Fuel Primer Switch on the generator panel is actuated, but the Fuel Pump does not run (priming function doesn't work), perhaps battery voltage is not available.

### PROCEDURE:

Hold the Start-Stop Switch at "START". The engine should crank and start.

### RESULTS:

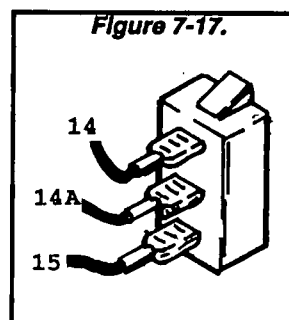
1. If the engine cranks normally, but the priming function still doesn't work, go to Test 19.
2. If engine will not crank, go to Test 21. Refer to Problem 6 of Chapter Six.
3. If engine cranks but won't start, go to Problem 7 of Chapter Six.
4. If engine starts hard and runs rough, go to Problem 8 of Chapter Six.

## Test 19- Test Primer Switch

### DISCUSSION:

A defective primer switch can prevent the priming function from occurring.

Switch failure can also prevent the engine from starting, since the switch is in series with the Wire 14 circuit.



### PROCEDURE:

1. Set a VOM to read battery voltage (12 VDC).
2. Connect the positive (+) meter test lead to the Wire 15 terminal of the Primer Switch, the common (-) terminal to frame ground. The meter should indicate battery voltage.
3. Connect the meter positive (+) test lead to the Wire 14A terminal of the Primer Switch, the other test lead to frame ground.
  - a. With the Primer Switch NOT actuated, no voltage should be indicated.
  - b. Actuate the switch to its "PRIME" position and the meter should read battery voltage.
4. Set the meter to its "Rx1" scale and zero the meter.
  - a. Connect the meter test leads across the Wires 14 and 14A terminals of the Switch.
  - b. With the switch NOT actuated, the meter should read "continuity".

### RESULTS:

1. If battery voltage is not indicated in Step 2, check Wire 15 between the Primer Switch and the 15 amp fuse for open condition.
2. If battery voltage is indicated in Step 2 but not in Step 3, replace the Primer Switch.
3. If the meter reads other than "continuity" in Step 4, replace the Primer Switch.
4. If the Primer Switch checks good, go to Test 20.

# Chapter Seven- DIAGNOSTIC TESTS

## Test 20- Check Fuel Pump

### DISCUSSION:

An Inoperative Fuel Pump will (a) prevent the priming function from working and (b) prevent the engine from starting.

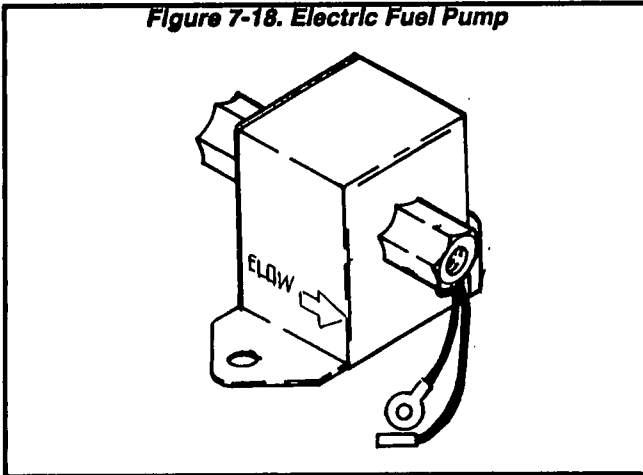
### PROCEDURE:

1. Set a VOM to read battery voltage (12 VDC).
2. Connect the positive (+) meter test lead to the Wire 14A terminal (center terminal) of the primer switch, the other test lead to frame ground.
3. Hold the Primer Switch to its "PRIME" position.
  - a. The meter should read battery voltage.
  - b. The Fuel Pump should operate.

### RESULTS:

Replace Fuel Pump if it does not operate.

Figure 7-18. Electric Fuel Pump



## Test 21- Check 15 Amp Fuse

### DISCUSSION:

If the panel-mounted 15 amp Fuse (F1) has blown, engine cranking will not be possible.

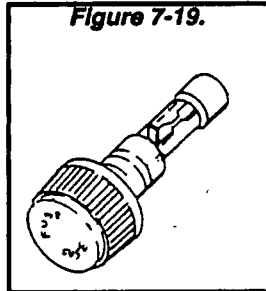
### PROCEDURE:

Push in on fuse holder cap and turn counter-clockwise. Then, remove the cap with fuse. Inspect the Fuse.

### RESULTS:

If the Fuse element has melted open, replace the Fuse. If Fuse is good, go to Test 22.

Figure 7-19.



## Test 22- Check Battery & Cables

### DISCUSSION:

If the engine won't crank or cranks too slowly, the battery may be weak or discharged. See "Battery" on Page 17.

### PROCEDURE:

1. Inspect the battery cables and battery posts or terminals for corrosion, tightness.
2. Use a battery hydrometer to test the battery for (a) state of charge and (b) condition. Follow the hydrometer manufacturer's instructions carefully.

### RESULTS:

1. Clean battery posts and cables as necessary. Make sure battery cables are tight.
2. Recharge the battery, if necessary.
3. Replace the battery, if necessary.
4. If battery is good, but engine will not crank, go to Test 23.

## Test 23- Check Power Supply to Circuit Board

### DISCUSSION:

If battery voltage is not available to the circuit board, engine cranking and running will not be possible.

If battery voltage is available to the board, but no DC output is delivered to the board's Wire 56 terminal while attempting to crank, either the circuit board is defective or the Start-Stop Switch has failed.

This test will determine if battery voltage is available to the Engine Controller circuit board. Test 24 will check the Start-Stop Switch. Test 25 will check the DC power supply to the circuit board's Wire 56 terminal (Receptacle J1, Pin 1).

### PROCEDURE:

1. On the Engine Controller circuit board, locate Terminal J3 to which Wire 15 connects.
2. Set a VOM to read battery voltage. Connect the meter test leads across circuit board Terminal J3 and frame ground. The meter should read battery voltage.

### RESULTS:

1. If battery voltage is NOT indicated, check Wire 13 between Starter Contactor and 15 amp Fuse, Wire 15 between the Fuse and the Battery Charge Rectifier, and Wire 15 between the Battery Charge Rectifier and the Engine Controller circuit board. Repair, reconnect or replace bad wire(s) as necessary.
2. If battery voltage is indicated but engine will not crank, go to Test 24.

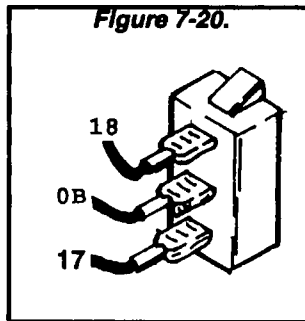
# Chapter Seven- DIAGNOSTIC TESTS

## **Test 24- Check Start-Stop Switch**

**DISCUSSION:**

Engine cranking and startup is initiated when Wire 17 from the Engine Controller board is connected to frame ground by setting the Start-Stop Switch to "START".

Engine shutdown occurs when circuit board Wire 18 is connected to frame ground by the Start-Stop Switch.



A defective Start-Stop Switch can result in (a) failure to crank and/or (b) failure to shut down when the Switch is set to "STOP".

**PROCEDURE:**

1. Set a VOM to its "Rx1" scale and zero the meter.
2. Inspect the ground Wire 0B, between the Start-Stop Switch and the grounding terminal. Use the VOM to check the wire for continuity.
3. Disconnect Wire 17 from its Switch terminal and connect it to frame ground. The engine should crank.

**RESULTS:**

1. Repair, reconnect or replace Wire 0B (between Start-Stop Switch and grounding terminal) as necessary.
2. If engine cranks when Wire 17 is grounded, but will not crank when the Switch is set to "START", replace the Start-Stop switch.
3. If engine will not crank when Wire 17 is grounded, proceed as follows:
  - a. Use a jumper wire to connect the circuit board's Wire 17 terminal to ground. If engine does NOT crank, replace the Engine Controller board.
  - b. If engine cranks now, but would not crank in Step 3 of the procedure, check Wire 17 between the circuit board and Start-Stop Switch.

## **Test 25- Check Power Supply to Wire 56**

**DISCUSSION:**

If battery voltage is available to the Engine Controller board, but no DC voltage is delivered to Wire 56 when the Start Switch is set to "START", check the Start-Stop Switch as was done in the previous test. Then, check to see if the circuit board is delivering battery voltage to the Wire 56 terminal. If power is available to the circuit board, but no power is available to Wire 56 for cranking, the circuit board must be defective.

**PROCEDURE:**

1. Set a VOM to read battery voltage (12 VDC).
2. Disconnect Wire 56 from its Starter Contactor terminal.
3. Connect the meter positive (+) test lead to Wire 56, just disconnected. Connect the other test lead to frame ground. No voltage should be indicated.
4. Actuate the Start-Stop Switch to its "START" position. The meter should indicate battery voltage.

**RESULTS:**

1. If battery voltage was available to the circuit board in Test 24, but is not available to Wire 56 in this test, replace the circuit board.
2. If battery voltage is available to Wire 56 but engine does not crank, go to Test 26.

## **Test 26- Check Starter Contactor**

**DISCUSSION:**

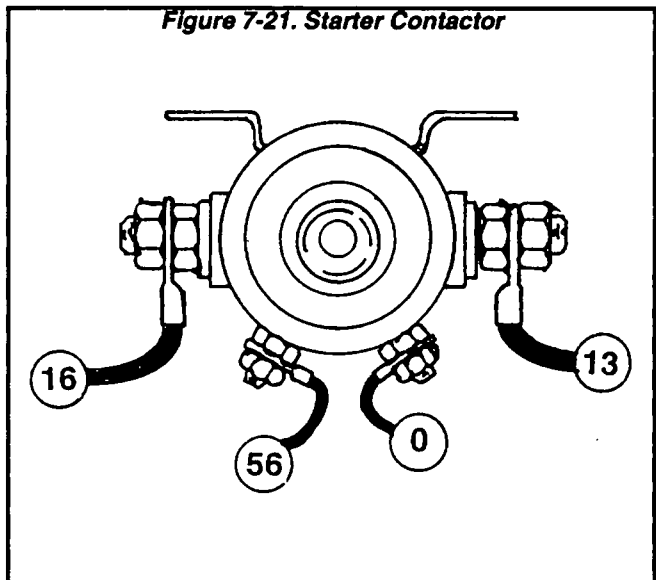
If battery voltage is available to the Wire 56 circuit, but engine won't crank, one possible cause of the problem is a failed Starter Contactor.

**PROCEDURE:**

Connect a jumper cable across the two large terminal studs of the Starter Contactor. The engine should crank.

**RESULTS:**

1. If engine cranks in this test, but would not crank in Test 25, remove and replace the Starter Contactor.
2. If engine does not crank in this test, go to Test 27.





# Chapter Seven- DIAGNOSTIC TESTS

## Test 27- Check Starter Motor

### DISCUSSION:

If the engine will not crank, the Starter Motor may have failed. This test will check that possibility.

### PROCEDURE:

The battery should have been checked prior to this test and should be fully charged.

Set a VOM to read battery voltage (12 VDC). Connect the meter positive (+) test lead to the cable connection on the Starter Motor. Connect the common (-) test lead to the Starter Motor frame.

Set the Start-Stop Switch to its "START" position and observe the meter. Meter should indicate battery voltage, Starter Motor should operate and engine should crank.

### RESULTS:

If battery voltage is indicated on the meter but Starter Motor did not operate, replace the Starter Motor.

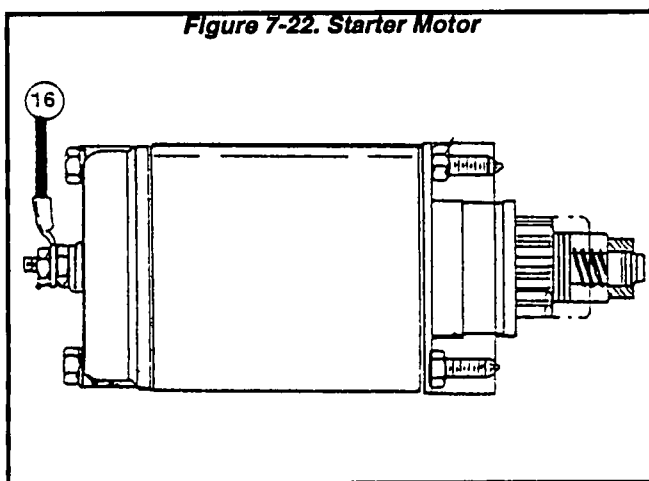


Figure 7-22. Starter Motor

## Test 28- Check Fuel Supply

### DISCUSSION:

If the engine cranks but won't start, don't overlook the obvious. The fuel supply may be low. Many RV generator installations "share" the fuel tank with the vehicle engine. When such is the case, the installer may have used a generator fuel pickup tube that is shorter than the vehicle engine's pickup tube. Thus, the generator will run out of gas before the vehicle engine.

### PROCEDURE:

Check fuel level in the supply tank.

### RESULTS:

1. If necessary, replenish fuel supply.
2. If fuel is good, go to Test 29.

## Test 29- Check Wire 14 Power Supply

### DISCUSSION:

When the engine is cranked, Engine Controller circuit board action must deliver battery voltage to the Wire 14 circuit or the engine will not start. This is because the Wire 14 circuit operates the Fuel Pump.

*NOTE: On "Q70" generators, the Wire 14 circuit also opens a fuel solenoid on the carburetor.*

### PROCEDURE:

Inside the generator panel, locate the 4-tab terminal connector (Figure 7-23). Then, proceed as follows:

1. Set a VOM to read battery voltage (12 VDC).
2. Connect the meter positive (+) test lead to the 4-tab terminal connector, the common (-) test lead to frame ground.
3. Crank the engine and the meter should read battery voltage.

### RESULTS:

1. If the meter indicated battery voltage, go to Test 30.
2. If battery voltage was NOT indicated, check Wire 14 between the 4-tab connector and the Engine Controller circuit board.
  - a. Repair, reconnect or replace Wire 14 as necessary.
  - b. If Wire 14 is good, replace the Engine Controller circuit board.

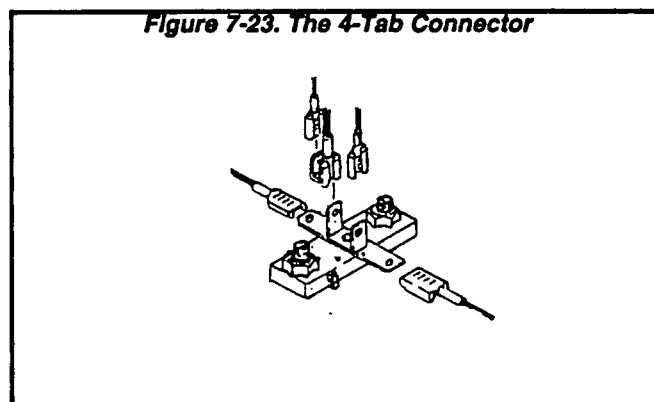


Figure 7-23. The 4-Tab Connector

## Test 30- Test Fuel Pump

See Test 20, "Check Fuel Pump Operation". Replace Pump, if bad. If Pump is good, go to Test 31 (Q70G units only) or to Test 32 for other units.

## Test 31- Check Fuel Solenoid

### DISCUSSION:

This test applies only to "Q70G" models which have a Fuel Solenoid on their carburetor.

# Chapter Seven- DIAGNOSTIC TESTS

## Test 31- Check Fuel Solenoid (Continued)

### DISCUSSION (CONT'D):

If the Fuel Solenoid fails to open, the engine will not start.

### PROCEDURE:

Set the Start-Stop Switch to "START". The Fuel Solenoid should actuate.

### RESULTS:

1. Replace the Fuel Solenoid, if bad.
2. If Solenoid operates, go to Test 32.

## Test 32- Check Ignition Spark

### DISCUSSION:

A problem in the engine ignition system can cause any of the following:

- Engine will not start.
- Engine starts hard, runs rough.

A commercially available spark tester may be used to test the engine ignition system. The procedure is basically the same for both the V-Twin engine and single cylinder engines.

### PROCEDURE:

1. Disconnect the high tension lead from one spark plug.
2. Attach the high tension lead to the spark tester terminal.
3. Ground the spark tester clamp by attaching to the cylinder head.
4. Crank the engine rapidly. Engine must be cranking at 350 rpm or more. If spark jumps the tester gap, you may assume the ignition system is working properly.
5. For V-Twin engine, repeat the above for the second cylinder.
6. To determine if an engine miss is ignition related, connect the spark tester in series with the high tension lead and the spark plug. Then, start the engine. If spark jumps the tester gap at regular intervals, but the engine miss continues, the problem must be in the spark plug or fuel system.
7. **V-Twin Engine:** To check for a fouled spark plug, short one spark plug to ground and listen for speed drop. If no drop in speed, the spark plug is fouled or cylinder is not functioning.

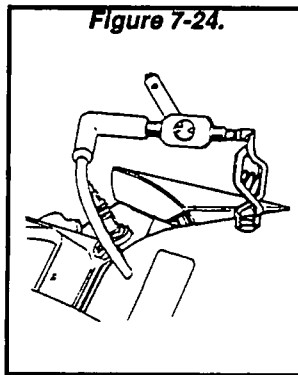


Figure 7-24.

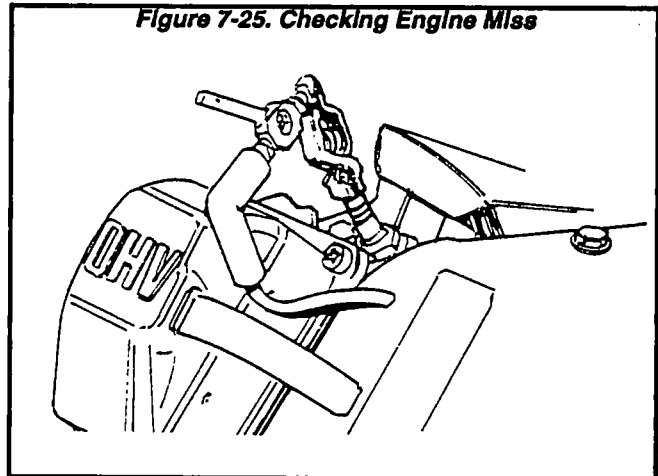


Figure 7-25. Checking Engine Miss

### RESULTS:

1. If no spark or if engine miss is apparent, go to Test 34.
2. If Ignition spark is good, go to Test 33.

## Test 33- Check Spark Plug

### DISCUSSION:

During Test 32, if spark jumped the tester gap, the ignition system must be functioning properly. However, if the engine misses the spark plug itself may be fouled.

### PROCEDURE:

Remove spark plug(s). Clean with a commercial solvent. **DO NOT BLAST CLEAN SPARK PLUGS.** Replace spark plug(s) if badly fouled, if ceramic is cracked, or if badly worn or damaged. Set gap to 0.030 inch (0.76mm). Use a Champion RC12YC (or equivalent) replacement spark plug on both the V-Twin and the GN-360 engine.

### RESULTS:

1. Clean and regap or replace spark plug(s) as necessary.
2. If spark plug is good, go to Test 36.

## Test 34- Check Ignition Power Supply

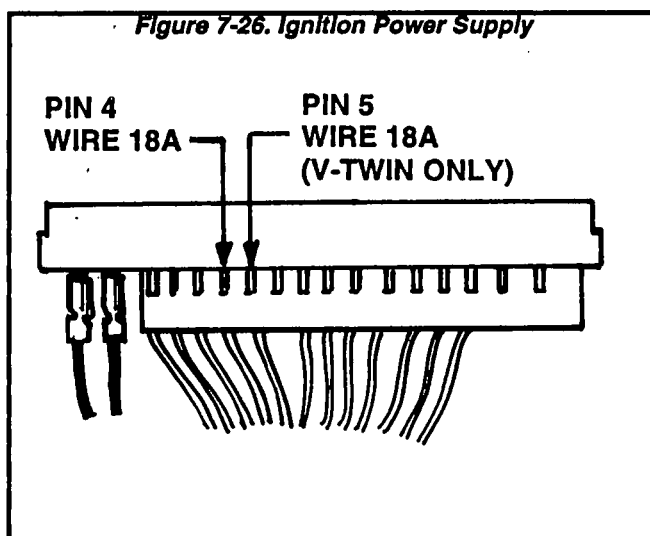
### DISCUSSION:

If ignition spark did not occur in Test 32, it is possible that power is not available to the engine ignition module(s). Power for ignition is delivered to the ignition module(s) from the Engine Controller circuit board, via Wire(s) 18A. If the engine cranks normally but no power is available, either the applicable Wire 18A is open or the Engine Controller circuit board is bad.

# Chapter Seven- DIAGNOSTIC TESTS

## PROCEDURE:

1. Set a VOM to read battery voltage.
2. Inside the control panel, locate the Engine Controller circuit board's 15-pin connector plug.
3. For twin cylinder engine, proceed as follows:
  - a. Connect the positive meter test lead to Terminal 4 of the 15-pin connector; connect the common (-) test lead to Terminal 12 (ground).
  - b. Crank the engine. The meter should indicate battery voltage.
  - c. Now, connect the meter positive test lead to Terminal 5 of the 15-pin connector; the common (-) test lead to Terminal 12 (ground). Again, crank the engine and the meter should indicate battery voltage.
4. For single cylinder engine, connect the positive meter test lead to Terminal 4 of the 15-pin connector; the common (-) test lead to Terminal 12 (ground). Crank the engine and the meter should read battery voltage.



## RESULTS:

1. If Ignition power supply is good, go to Test 35.
2. If battery voltage is not indicated, replace the Engine Controller circuit board.

## **Test 35- Test Ignition System**

### DISCUSSION:

Instructions on the servicing and testing of the twin cylinder engine ignition system can be found in "Service Manual- V-Twin OHV Horizontal and Vertical Shaft Engine" (Manual Part No. 81134).

### RESULTS:

Repair or replace ignition system parts, as necessary.

## **Test 36- Check Carburetion**

### DISCUSSION:

If the engine cranks but will not start, one possible cause of the problem might be the carburetion system.

### PROCEDURE:

Before making a carburetion check, be sure the fuel supply tank has an ample supply of fresh, clean gasoline (gasoline fuel system); or an adequate supply of gaseous fuel (for gaseous systems).

Check that all shutoff valves are open and fuel flows freely through the fuel line.

For gasoline system, inspect and adjust the carburetor needle valve.

Make sure the automatic choke operates properly.

If the engine will not start, remove and inspect the spark plug. If the spark plug is wet, look for the following:

- Overchoking.
- Excessively rich fuel mixture.
- Water in fuel.
- Intake valve stuck open.

If the spark plug is dry, look for the following:

- Leaking carburetor mounting gaskets.
- Intake valve stuck closed.
- Inoperative fuel pump.
- Plugged fuel filter(s).

One simple method of determining if fuel is getting to the combustion chamber is to remove the spark plug and pour a small quantity of gasoline into the spark plug hole. Install the plug and crank the engine. If engine fires a few times and then quits, look for the same condition as a dry plug.

If the engine starts hard or will not start, look for the following:

- Physical damage to the AC generator. Check the Rotor for contact with the Stator.
- A loose drive belt can sometimes cause a backlash effect which will counteract cranking effort.
- Starting under load. Make sure all loads are disconnected or turned off before attempting to crank and start the engine.
- Check that the automatic choke is working properly.

### RESULTS:

If problem has not been solved, go to Test 37.

# Chapter Seven- DIAGNOSTIC TESTS

## Test 37- Check Choke Operation

### DISCUSSION:

The automatic choke is active only during cranking. When the Start-Stop Switch is held at "START", a crank relay on the Engine Controller circuit board is energized closed to (a) crank the engine and (b) deliver a cyclic voltage to the Choke Solenoid via Wire No. 90. The Choke Solenoid will be pulled in for about one second, then deactivate for about two seconds. This cyclic choking action will continue as long as the engine is being cranked.

### PROCEDURE:

**Operational Check:** Crank the engine. While cranking, the choke solenoid should pull in about every 2 seconds (1 second ON, 2 seconds OFF). If the choke solenoid does not pull in, try adjusting the choke as follows.

**Pre-Choke Adjustment:** See Figure 7-28. With the SOLENOID CHOKE not actuated, the carburetor CHOKE PLATE should be approximately 1/8 inch from its full open position. If necessary, use needle nose pliers to bend the tip of the BI-METAL until the desired setting is obtained.

**Choke Solenoid Adjustment:** Loosen the screws that retain the SOLENOID CHOKE to its bracket. Slide the SOLENOID CHOKE in the slotted holes of the bracket to adjust axial movement of the SOLENOID PLUNGER. Adjust SOLENOID PLUNGER movement until, with the carburetor CHOKE PLATE closed, the SOLENOID CHOKE is bottomed in its coil (plunger at full actuated position). With the CHOKE PLATE closed and the plunger bottomed in its coil, tighten the two screws.

### RESULTS:

1. If Choke operation is good, go to Test 38.
2. If necessary, adjust or repair choke parts.

## Test 38- Check Engine

### GENERAL:

Most engine problems may be classified as one or a combination of the following:

- Will not start.
- Starts hard.
- Lack of power.
- Runs rough.
- Vibration.
- Overheating.
- High oil consumption.

Figure 7-27. Automatic Choke Circuit

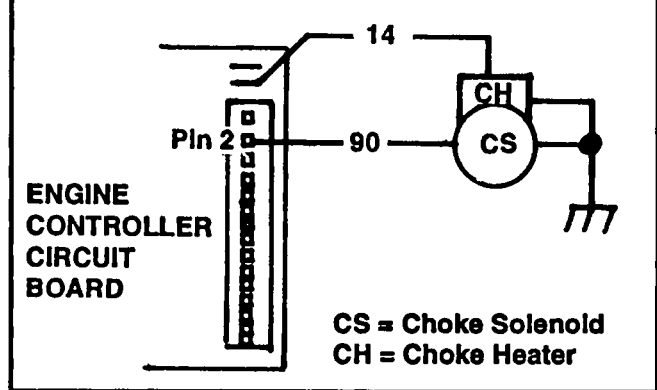
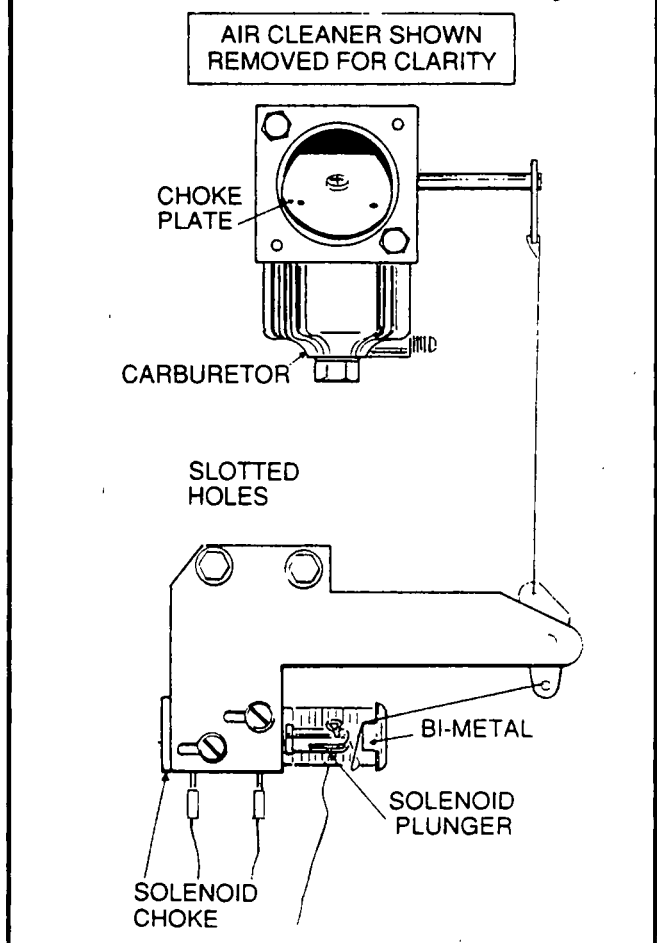


Figure 7-28. Automatic Choke Assembly



### CYLINDER BALANCE TEST:

If the engine (a) starts hard, (b) runs rough, or (c) misses or lacks power, perform a cylinder balance test to determine if both cylinders are operating at their full capacity.

# Chapter Seven- DIAGNOSTIC TESTS

The cylinder balance test applies only to twin cylinder engines. Perform the test as follows:

1. Connect a commercially available spark tester in series with the high tension spark plug leads and the spark plugs.
2. With engine running at governed no-load speed, check spark across the two spark testers.

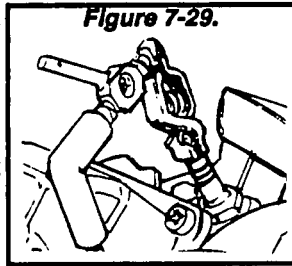


Figure 7-29.

**NOTE:** If spark is equal at both spark testers, the problem is NOT ignition related. A spark miss will be readily apparent.

3. Note the AC frequency reading of the generator. No-load frequency should be about 61-63 Hertz.
4. Use the screwdriver with insulated handle to ground out one cylinder, by contacting alligator clip on tester and a clean ground on the engine. Note the frequency (rpm) loss.
5. Remove the screwdriver and let the engine clear itself. Then, ground the other spark plug and note the frequency (rpm) loss.
  - a. If the difference between the two cylinders is less than 1-1/4 Hertz (75 rpm), the amount of work each cylinder is doing may be considered equal.
  - b. If the frequency (rpm) loss between two cylinders is less than 1-1/4 Hertz (75 rpm) and the engine runs poorly, the problem is common to both cylinders. Things that affect BOTH cylinders are (carburetion), (b) crankcase vacuum, (c) ignition.
  - c. If the frequency between the two cylinders is greater than 1-1/4 Hertz (75 rpm), the cylinder with the lowest frequency (rpm) is the weakest of the two. Look to that cylinder for a problem. Things that affect one cylinder are (a) spark plug, (b) leaking spark plug wire, (c) head gasket, (d) intake manifold, (e) valves, (f) rings, (g) piston, or (h) cylinder.

**NOTE:** The cylinder balance test will also detect a cylinder that is not functioning. When grounding one cylinder, no rpm loss will be noted. When the other cylinder is grounded, the engine will shut down.

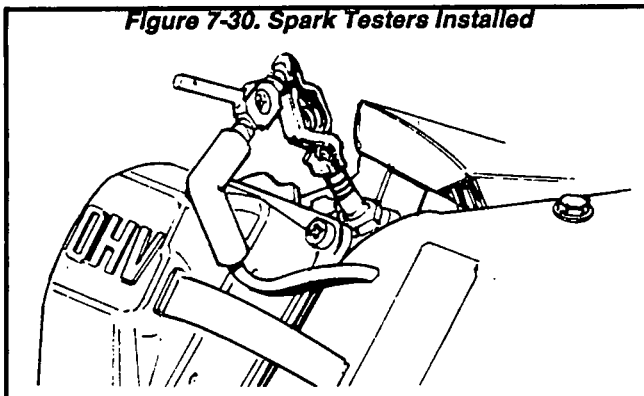


Figure 7-30. Spark Testers Installed

## CHECK IGNITION:

See Test 32.

## CHECK CARBURETION:

See Test 36.

## CHECK COMPRESSION:

Refer to "Service Manual- V-Twin OHV Horizontal and Vertical Shaft Engine" (Manual Part No. 81134).

## Test 39- Check Oil Pressure Switch

### DISCUSSION:

Also see "Operational Analysis" on Pages 15 and 16. The Low oil Pressure Switch is normally-closed, but is held open by engine oil pressure during cranking and startup. Should oil pressure drop below a safe level, the switch contacts will close to ground the Wire 85 circuit. Engine controller board action will then initiate an automatic shutdown.

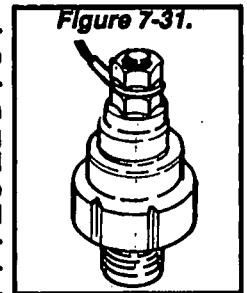


Figure 7-31.

If the switch falls closed, the engine will crank and start but will then shut down after a few seconds.

If the switch falls open, low oil pressure will not result in automatic shutdown.

### PROCEDURE:

1. Check engine oil level. If necessary, replenish oil level to the dipstick "FULL" mark.
2. Remove the protective boot from the switch terminal.
3. Disconnect the wires from the switch terminal.
4. Set a VOM to its "Rx1" scale and zero the meter.
5. Connect the meter test leads across the switch terminal and frame ground, with engine shut down. The meter should read "continuity". A small amount of resistance is acceptable.
6. Crank the engine. Oil pressure should open the switch contacts at some point while cranking and starting. Meter should then indicate "Infinity".
7. When engine starts, hold Wire 85, previously disconnected from the Oil Pressure Switch terminal, into firm contact with frame ground. The engine should shut down.

### RESULTS:

1. In Step 5, if "continuity" is not indicated, replace the switch.
2. In Step 6, if "Infinity" is NOT indicated, replace the switch.
3. In Step 7, if shutdown does NOT occur, check Wire 85 between switch and circuit board for open condition. If Wire is NOT open, replace the Engine Controller circuit board.

# Chapter Seven- DIAGNOSTIC TESTS

## Test 39- Check Oil Pressure Switch (Continued)

**NOTE:** If the engine shuts down with Wire 85 connected to the Oil Pressure Switch, but does not shut down when Wire 85 is disconnected from the switch, the switch may be functioning normally. Remove the switch and install a direct reading oil pressure gauge in its place. If oil pressure is below about 8-10 psi with engine running, check engine for failure.

## Test 40- Test Oil Temperature Switch

### DISCUSSION:

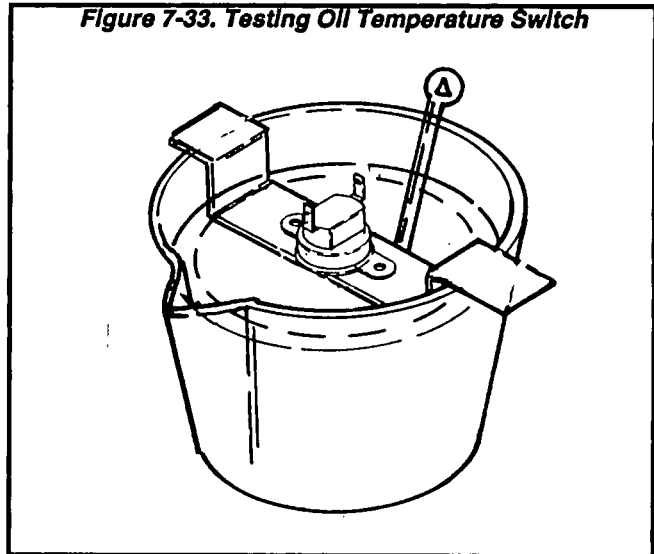
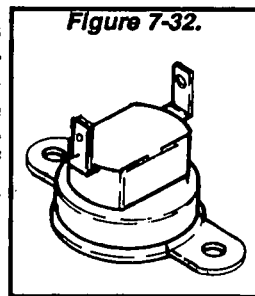
If the engine cranks, starts and then shuts down, one possible cause of the problem may be a high oil temperature condition. Protective shut-down is a normal occurrence if oil temperature is greater than approximately 265° F. (129° C.).

### PROCEDURE:

1. Remove Wire 85 from Oil Temperature Switch terminal and try a start. If engine starts and runs now, but shuts down when Wire 85 is connected to the switch terminal, the following possibilities exist:

- a. Oil temperature is too high.
- b. The oil temperature switch has failed closed or is shorted to ground.

2. Remove the switch and place its sensing tip into oil (Figure 7-33). Place a thermometer into the oil.
3. Connect the test leads of a VOM across the switch terminals. The meter should read "Infinity".
4. Heat the oil. When oil temperature reaches approximately 260°-270° F. (128°-130° C.), the switch contacts should close and the meter should read "continuity".



# Chapter Eight- ASSEMBLY (V-TWIN ENGINE UNITS)

## General

The vertical shaft V-Twin engine and the vertically mounted AC generator are mounted side-by-side to the unit's mounting base. The engine PTO (power takeoff) shaft and the generator Rotor shaft extend downward through openings in the mounting base. An engine pulley is attached to the engine PTO shaft; a generator pulley is attached to the Rotor shaft. A drive belt drives the two pulleys and allows the engine to drive the Rotor at a pre-determined speed.

Generator models covered in this Manual are equipped with a 2-pole Rotor which must be driven at 3600 rpm for 60 Hertz AC output; or 3000 rpm for 50 Hertz AC output. The engine rpm required to drive the Rotor at its proper speed is listed in an "APPLICABLE MODELS & SPECIFICATIONS" chart on Page 1 of this Manual.

## Sheet Metal

Figure 8-2 shows the sheet metal that surrounds the twin-cylinder engine. An ENGINE TOP HOUSING (Item 7) encloses an ENGINE FLYWHEEL which is keyed to the engine shaft and retained by an M20-1.50 hex nut and a Belleville washer. The FLYWHEEL provides a cooling air fan and a starter ring gear. Air openings in the ENGINE TOP HOUSING allow the cooling air fan to draw cooling air around the engine.

Carburetor and air cleaner parts are attached to the VALLEY COVER (Item 14).

## Air Cleaner, Carburetor & Choke

See Figure 8-3. Carburetor parts are attached to the VALLEY COVER (Item 14 in Figure 8-1).

## AC Generator

See Figure 8-4. The generator proper consists of the following major parts:

- Generator Top Housing (Item 12).
- Brush Holder with Brushes (Item 9).
- An Upper Bearing Carrier (Item 6).
- The Stator Assembly (Item 3).
- The Lower Bearing Carrier (Item 1).
- The Rotor Assembly (Item 2).

The Stator is sandwiched between the upper and lower bearing carrier and retained by four Stator Studs (Item 7). The unit is a "2-bearing" type with the Rotor supported on two ball bearings, one in the Upper Bearing Carrier and one in the Lower Bearing Carrier.

## Control Panel

Control panel components are shown in Figure 8-4. The following parts are housed in the Control Panel:

- Engine Controller Circuit Board (Item 20).
- The Starter Contactor (Item 29).
- Battery Charge Rectifier (Item 32).
- Excitation Circuit Breaker (Item 41).
- The AC Voltage Regulator (Item 43).
- Main Circuit Breakers (Items 46 and 47).
- The 15 amp Fuse Holder with Fuse (Item 52).
- Start-Stop Switch (Item 54).
- Fuel Primer Switch (Item 55).

## Mounting Base and Pulleys

Figure 8-5 shows the engine-generator mounting base (Item 1). The engine and generator pulleys (Items 21 and 22) include blowers which operate in a blower housing (Item 30) to move air and fumes downward and away from the unit. A Slide Pan (Item 81) provides the required air outlet openings and acts as a "floor" for the unit.

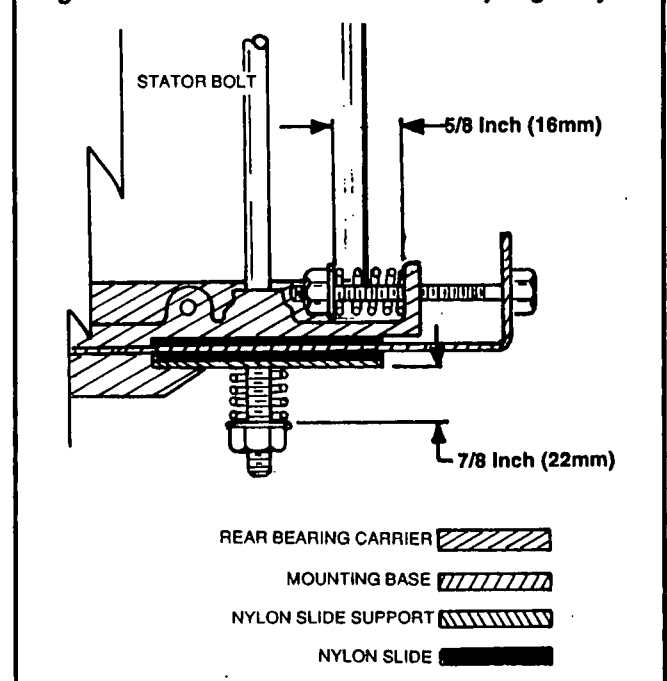
Drive belt tension is adjusted by means of two (2) BELT TENSIONING SPRINGS (Item 12), CAPSCREWS (Item 11), SPRING WASHER (Item 13) and FLANGED LOCK NUTS (Item 10). Turning the CAPSCREWS (Item 11) moves the generator LOWER BEARING CARRIER axially on NYLON SLIDES (Item 14), and changes the tension on the DRIVE BELT (Item 23).

The generator's lower bearing carrier is retained to the mounting base by four (4) springs (Item 34).

See Figure 8-1, below. To adjust belt tension, turn the two adjusting bolts until the compressed length of the springs is 5/8 inch (16mm).

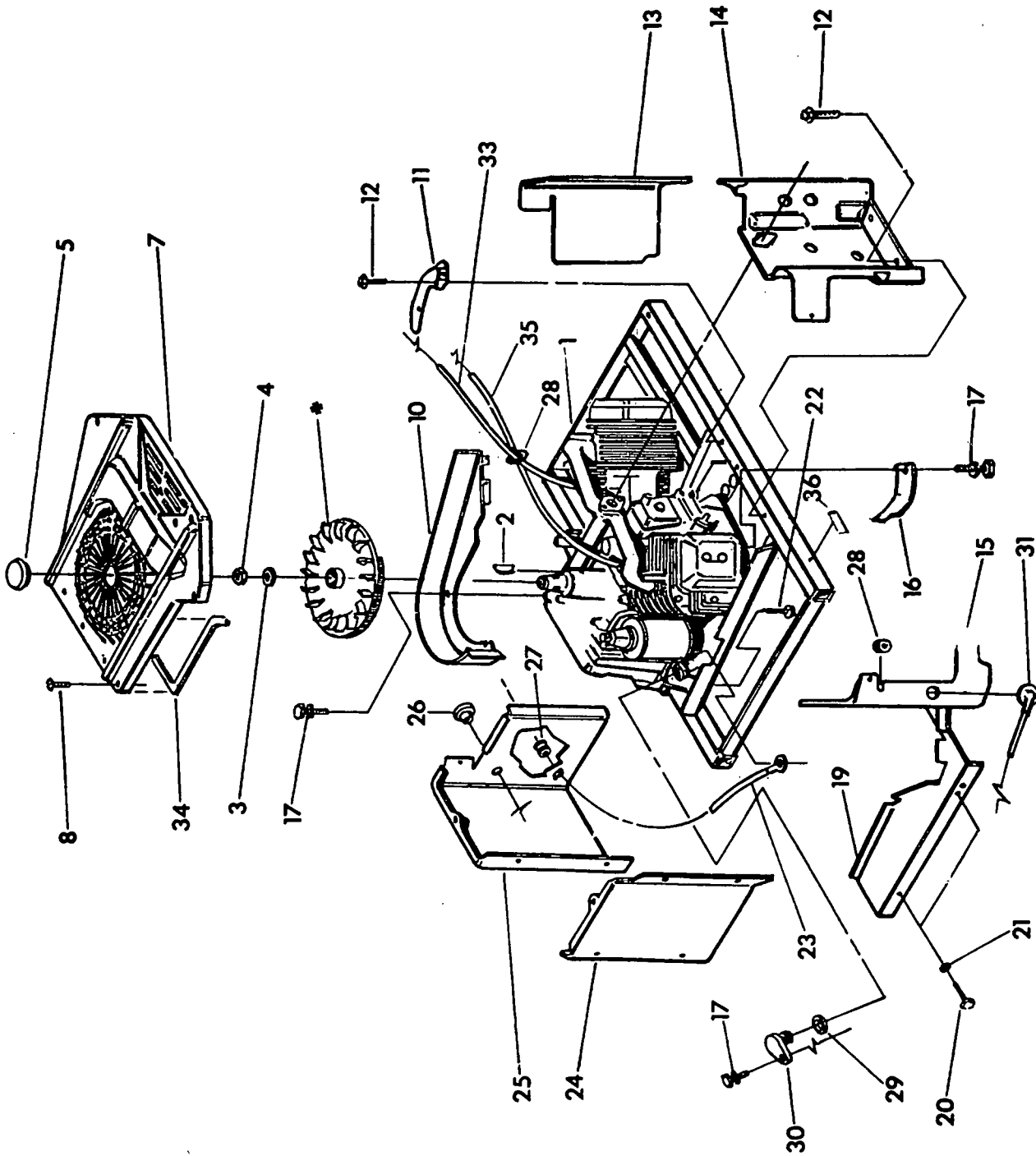
To adjust the tension of the four lower bearing carrier springs, turn the adjusting bolts to obtain a compressed spring length of 7/8 inch (22mm).

Figure 8-1. Belt Tension & Generator Springs Adjust



# Chapter Eight- ASSEMBLY (V-TWIN ENGINE UNITS)

Figure 8-2. Exploded View of Sheet Metal (Drawing No. 89403)





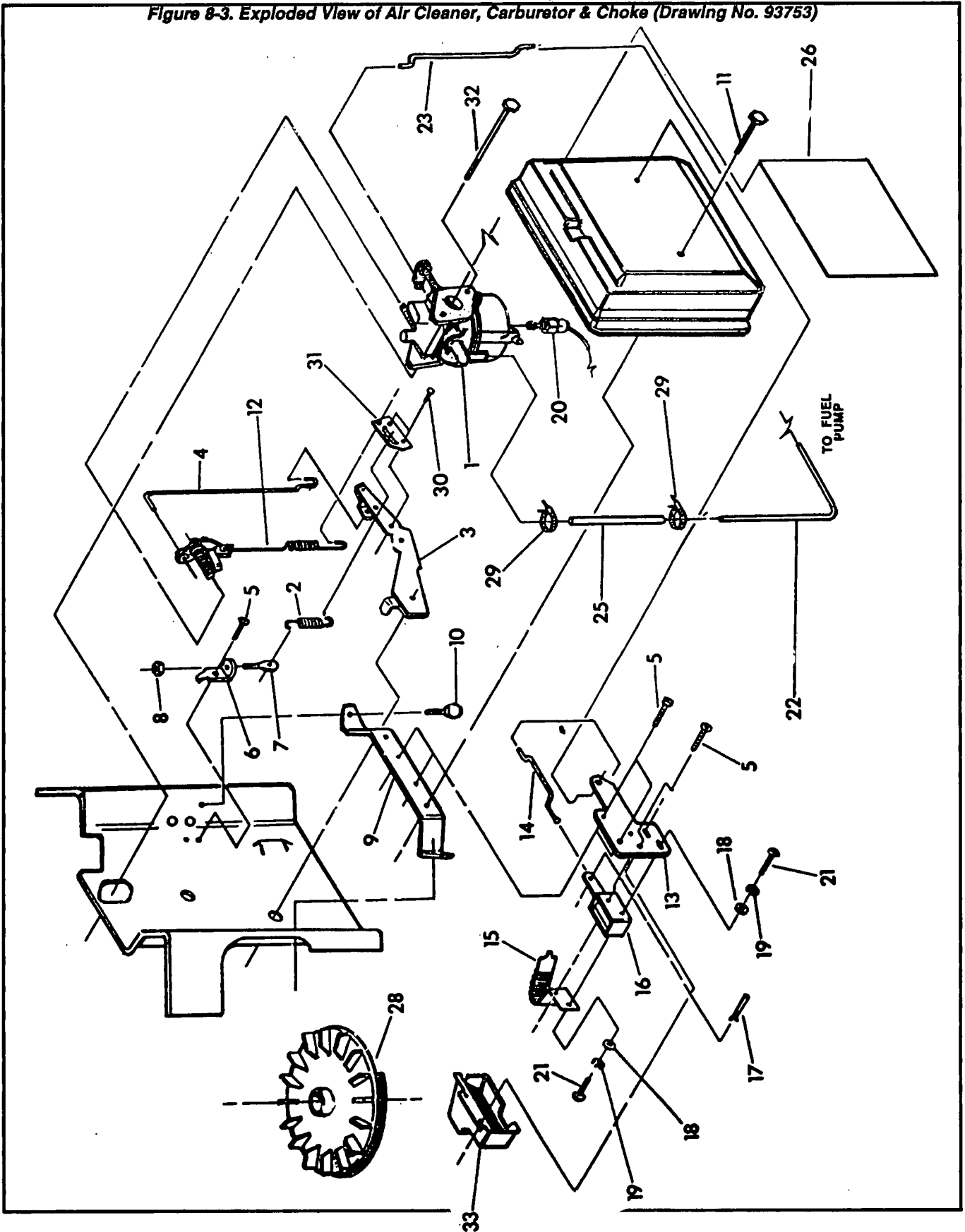
# Chapter Eight- ASSEMBLY (V-TWIN ENGINE UNITS)

## Parts List for Figure 8-2 (Drawing No. 89403)

ITEM	QTY	DESCRIPTION	ITEM	QTY	DESCRIPTION
1	1	Twin Cylinder Engine	19	1	No. 1 Cylinder Base Cover
2	1	Woodruff Key	20	2	M8-1.25 x 1.25 Hex Head Capscrew
3	1	Belleville Washer	21	2	M8 Lockwasher
4	1	M20-1.50 Hex Nut	22	4	3/8"-16 x 1-1/4" Screw (Tapfit)
5	1	Flywheel Access Plug	23	1	Starter Cable (Wire 16)
7	1	Engine Top Housing	24	1	Starter Cover
8	23	No. 10-24 x 1/2" Screw	25	1	Crankcase Wrapper
10	1	Flywheel Scroll	26	1	Snap Bushing
11	1	No. 2 Cylinder Base Cover	27	1	Rubber Grommet
12	9	M5 x 10mm Screw	28	3	Rubber Grommet
13	1	No. 2 Cylinder Wrapper	29	1	O-Ring
14	1	Valley Cover	30	1	Oil Fill Plug
15	1	No. 1 Cylinder Wrapper	31	2	Spark Plug Boot
16	2	Barrel Wrapper	33	1	No. 2 Cylinder Ground Wire
17	2	M6-1.00 x 12mm Capscrew	34	2 ft.	Foam Tape
			35	1	No. 1 Cylinder Ground Wire
			36	1	Oil Drain Decal

# Chapter Eight- ASSEMBLY (V-TWIN ENGINE UNITS)

Figure 8-3. Exploded View of Air Cleaner, Carburetor & Choke (Drawing No. 93753)



# Chapter Eight- ASSEMBLY (V-TWIN ENGINE UNITS)

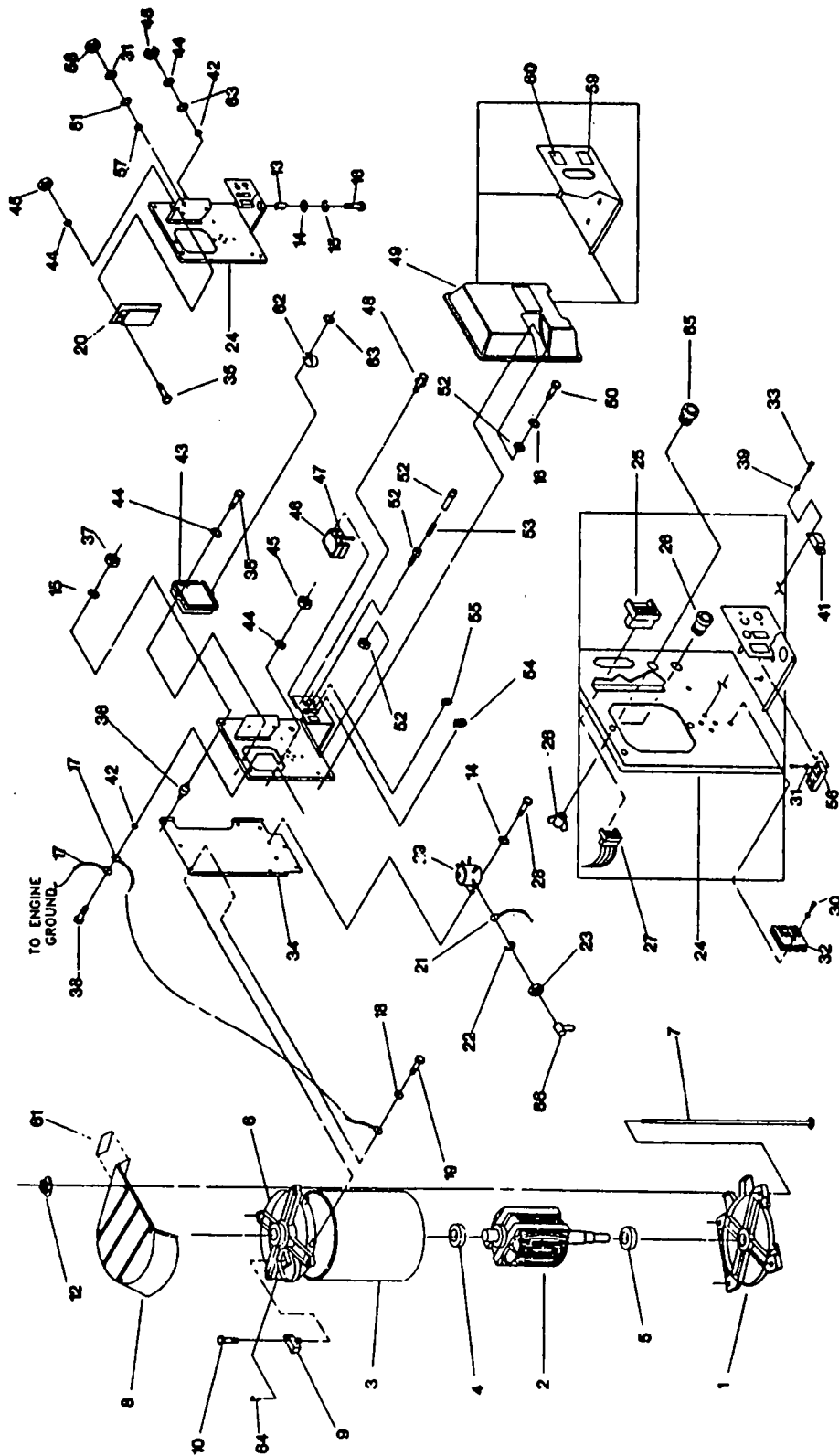
## Parts List for Figure 8-3 (Drawing No. 93753)

ITEM	QTY	DESCRIPTION	ITEM	QTY	DESCRIPTION
1	1	Carburetor Assembly	17	1	3/32" Cotter Pin
2	1	Governor Spring	18	4	No. 4 Flatwasher
3	1	Governor Lever	19	4	No. 4 Lockwasher
4	1	Governor to Carburetor Rod	20	1	Fuel Solenoid (Q70G Only)
5	5	No. 10-32 x 3/8" Screw	21	4	No. 4-40 x 1/4" Pan Head Screw
6	1	Governor Adjuster Bracket	22	1	5/16" ID Fuel Line
7	1	Governor Adjuster Screw	23	1	Choke Link
8	1	Nylon Hex Lock Nut	25	1	Fuel Hose
9	1	Air Cleaner Support Bracket	26	1	Air Cleaner Decal
10	2	M6-1.00 x 12mm Hex Screw	27*	1	Carburetor Overhaul Kit
11	2	M6-1.00 x 25mm Hex Screw	28	1	Flywheel Assembly
12	1	Anti-Lash Spring	29	2	Hose Clamp
13	1	Choke Support Bracket	30	2	1/8" Rivet
14	1	Choke Control Rod	31	1	Governor Spring Bracket
15	1	Choke Bi-Metal Assembly	32	2	M6-1.00 x 93mm Capscrew (Includes Washer)
16	1	Choke Solenoid	33	1	Choke Coil Cover

\* To order Carburetor Overhaul Kit, specify Part No. 75252.

# Chapter Eight- ASSEMBLY (V-TWIN ENGINE UNITS)

Figure 8-4. Exploded View of Generator & Panel (Drawing No. 91664)



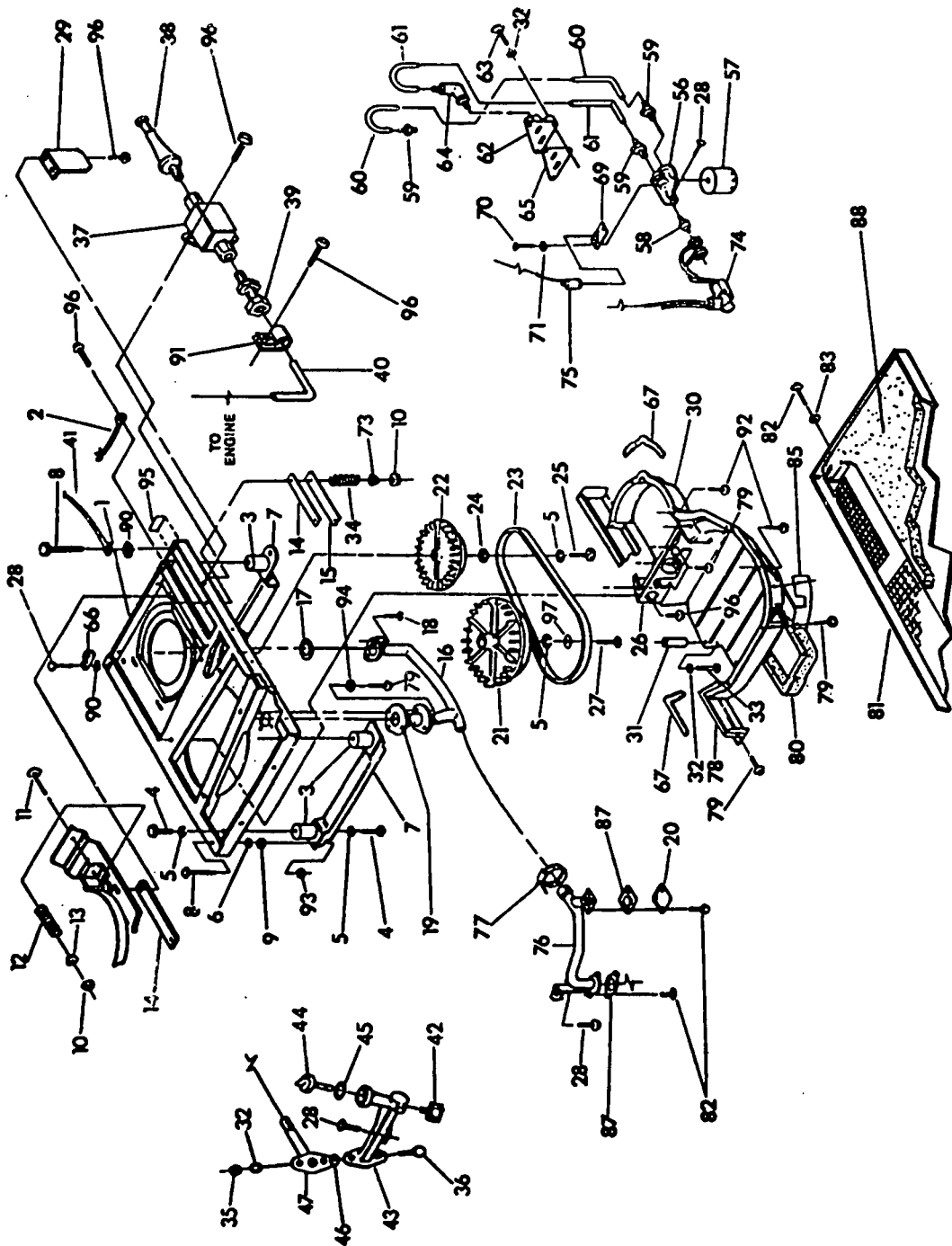
# Chapter Eight- ASSEMBLY (V-TWIN ENGINE UNITS)

## Parts List for Figure 8-4 (Drawing No. 91664)

ITEM	QTY	DESCRIPTION	ITEM	QTY	DESCRIPTION
1	1	Lower Bearing Carrier	33	2	M3-0.50 x 15mm Capscrew
2	1	Rotor Assembly	34	1	Panel Support Bracket
3	1	Stator Assembly	35	4	M5-0.80 x 16mm Capscrew
4	1	Rotor Bearing	36	4	Vibration Mount
5	1	Rotor Bearing	37	4	M6-1.00 Hex Nut
6	1	Upper Bearing Carrier	38	1	M5-0.80 x 16mm Capscrew
7	4	Stator Stud	39	2	M3 Lockwasher
8	8	M8-1.25 Flanged Lock Nut	41	1	Excitation Circuit Breaker
9	1	Brush Holder	42	2	M5 Shakeproof Washer
10	2	M5-0.80 x 16mm Screw	43	1	AC Voltage Regulator
11	4	Nylon Washer	44	6	M5 Lockwasher
12	1	Generator Top Housing	45	4	M5-0.80 Hex Nut
13	1	Resistor	46	1	Main Circuit Breaker
14	3	M6 Flatwasher	47	1	Main Circuit Breaker
15	5	M6 Lockwasher	48	4	No. 6-32 Screw (w/Lockwasher)
16	1	M6-1.00 x 60mm Capscrew	49	1	Panel Cover
17	2	Ground Cable	50	4	M4-0.70 x 16mm Capscrew (Includes Lockwasher, Flatwasher)
18	1	Lockwasher	51	1	M4 Flatwasher
19	4	M6-1.00 x 20mm Screw	52	1	Fuse Holder
20	1	Engine Controller Circuit Board	53	1	15 amp Fuse
21	1	Starter Cable	54	1	Start-Stop Switch
22	2	5/16" Lockwasher	55	1	Fuel Primer Switch
23	2	5/16"-18 Hex Nut	56	1	Terminal Block
24	1	Panel Sheet Metal	57	1	M4 Lockwasher
25	1	4-Tab Connector	58	1	M4-0.70 Hex Nut
26	1	Connector	59	1	Circuit Breaker Rating Decal
27	1	Remote Panel Harness	60	1	Circuit Breaker Rating decal
28	2	M6-1.00 x 12mm Screw	61	1	Customer Connection Decal
29	1	Starter Contacter	62	1	Hose Clamp
30	3	M4-0.70 x 16mm Capscrew	63	2	M5 Flatwasher
31	4	M4 Lockwasher	64	1	M5 x 10mm Screw
32	1	Battery Charge Rectifier	65	1	Bushing
			66	1	Battery Cable Boot

# Chapter Eight- ASSEMBLY (V-TWIN ENGINE UNITS)

Figure 8-5. Exploded View of Mounting Base & Pulleys (Drawing No. 91663)



# Chapter Eight- ASSEMBLY (V-TWIN ENGINE UNITS)

## Parts List for Figure 8-5 (Drawing No. 91663)

ITEM	QTY	DESCRIPTION	ITEM	QTY	DESCRIPTION
1	1	Mounting Base	43	1	Oil Fill & Drain Tube
2	1	Ground Cable	44	1	Oil Cap & Dipstick
3	4	Rubber Mount	45	1	Oil Cap O-Ring
4	8	3/8"-16 x 1/2" Capscrew	46	1	Oil Drain O-Ring
5	10	M10 Lockwasher	47	1	Oil Drain Adapter Pipe
6	2	M8 Lockwasher	56	1	Oil Filter Support
7	2	Rubber Mount Skid	57	1	Oil Filter (FRAM #PH3814)
8	2	5/16"-18 x 3.5" Safety Bolt	58	1	Low Oil Pressure Switch
9	2	5/16"-18 Hex Nut	59	3	5/16" Fitting
10	6	M8-1.25 Flanged Lock Nut	60	1	Outer Oil Tube
11	2	M8-1.25 x 60mm Capscrew	61	1	Inner Oil Tube
12	2	Belt Tensioner Spring	62	1	Oil Pad Adapter
13	2	Spring Centering Washer	63	3	M6-1.00 x 30mm Capscrew
14	4	Nylon Slide	64	1	Barbed 90° Fitting
15	2	Nylon Slide Support	65	1	Oil Pad Gasket
16	1	Exhaust Manifold	66	1	Grounding Lug
17	2	Exhaust Manifold Gasket	67	—	Foam Tape
18	4	M8-1.25 x 20mm Capscrew (Grade 5)	69	1	High Oil Temperature Switch
19	2	Collector Pan Gasket	70	2	M3-0.50 Pan Head Screw
20	1	External Cover Plate	71	2	M3 Lockwasher
21	1	Engine Pulley	73	4	Spring Retainer Washer
22	1	Generator Pulley	74	1	Vinyl Cap
23	1	Drive Belt	75	1	Vinyl Cap
24	1	Pulley Retainer Washer	76	1	Exhaust Elbow
25	1	3/8"-24 x 1" Socket Head Capscrew (Grade 5)	77	1	Fuel Pump Bracket
26	1	Blower Housing Guide	78	1	Cover
27	1	3/8"-24 x 2-1/2" Capscrew	79	14	No. 10-24 Screw
28	5	M6-1.00 x 20mm Screw	80	1	Slide Pan Gasket
29	1	Fuel Pump Bracket	81	1	Slide Pan
30	1	Blower Housing	82	8	M6-1.00 Capscrew (w/Lockwasher)
31	1	Blower Housing Spacer	83	4	M6 Flatwasher
32	6	M6 Lockwasher	85	1	Exhaust Outlet Cover
33	1	M6-0.30 Capscrew	87	2	Exhaust Outlet Gasket
34	4	Generator Mounting Spring	88	1	Sound Barrier Pad
35	2	M6-1.00 Hex Nut	90	2	M6 Toothed Lockwasher
36	2	M6-1.00 x 25mm Capscrew	91	1	Vinyl Coated Clamp
37	1	Fuel Pump	92	9	M5-0.80 x 10mm Screw
38	1	Fuel Filter	93	2	5/16"-18 Flanged Nut
39	1	Fitting (1/8" Pipe to 1/4" Tube)	94	6	M5 Flatwasher
40	1	Fuel Line	95	1	Ground Decal
41	1	Grounding Wire	96	9	M6 x 10mm Screw
42	1	3/8" NPT Oil Drain	97	1	M10 Flatwasher

**Chapter Eight- ASSEMBLY (V-TWIN ENGINE UNITS)**

---



# Chapter Nine- ASSEMBLY (1-CYLINDER ENGINE UNITS)

## General

The vertical shaft, single cylinder engine and the vertically mounted AC generator are mounted side-by-side to the unit's mounting base. The engine power takeoff (PTO) shaft and the generator Rotor shaft extend downward through openings in the mounting base. An engine pulley is attached to the engine PTO shaft; a generator pulley is attached to the Rotor shaft. A drive belt drives the two pulleys and allows the engine to drive the Rotor at its pre-determined speed.

Generator models covered in this Manual are equipped with a 2-pole Rotor. A 2-pole Rotor must be driven at 3600 rpm for a 60 Hertz AC output; or 3000 rpm for a 50 Hertz output. The engine rpm required to drive the Rotor at its proper speed is listed in the CHART on Page 1 of this Manual.

## Sheet Metal

Figure 9-2 shows the engine sheet metal and some other engine accessories. A FLYWHEEL (Item 4) includes a cooling air fan and a starter ring gear. The FLYWHEEL is enclosed by a FLYWHEEL SCROLL (Item 1), an ENGINE TOP COVER (Item 7) and an AIR INLET COVER (Item 9). Openings in the AIR INLET COVER allow air to be drawn in by the cooling air fan. The FLYWHEEL (Item 4) is retained to the engine shaft by a M20-1.50 NUT (Item 6) and a BELLEVILLE WASHER (Item 5).

## Air Cleaner, Carburetor and Choke

See Figure 9-3. The CARBURETOR (Item 6) and AIR CLEANER BASE (Item 6) are retained to the engine INTAKE MANIFOLD (Item 1). Governor, throttle and choke linkages are also shown in Figure 9-3.

## AC Generator

The generator proper consists of the following major parts, shown in Figure 9-4:

- Generator Top Housing (Item 12).
- Brush Holder with Brushes (Item 9).
- Upper Bearing Carrier (Item 6).
- Stator Assembly (Item 3).
- Lower Bearing Carrier (Item 1).
- Rotor Assembly (Item 2).

The Stator Assembly is sandwiched between the upper and lower bearing carriers and retained by four Stator Studs (Item 7). The units is a "2-bearing" type with the Rotor supported in two ball bearings (Items 4 and 5).

## Control Panel

Control Panel components are shown in Figure 9-4. The following parts are housed in the Control Panel:

- Engine Controller Circuit Board (Item 20).
- Starter Contactor (Item 29).
- Battery Charge Rectifier (Item 32).
- Excitation Circuit Breaker (Item 41).
- AC Voltage Regulator (Item 43).
- Main Circuit Breakers (Items 46 and 47).
- 15 amp Fuse Holder with Fuse (Item 52, 53).
- Start-Stop Switch (Item 54).
- Fuel Primer Switch (Item 55).

## Mounting Base and Pulleys

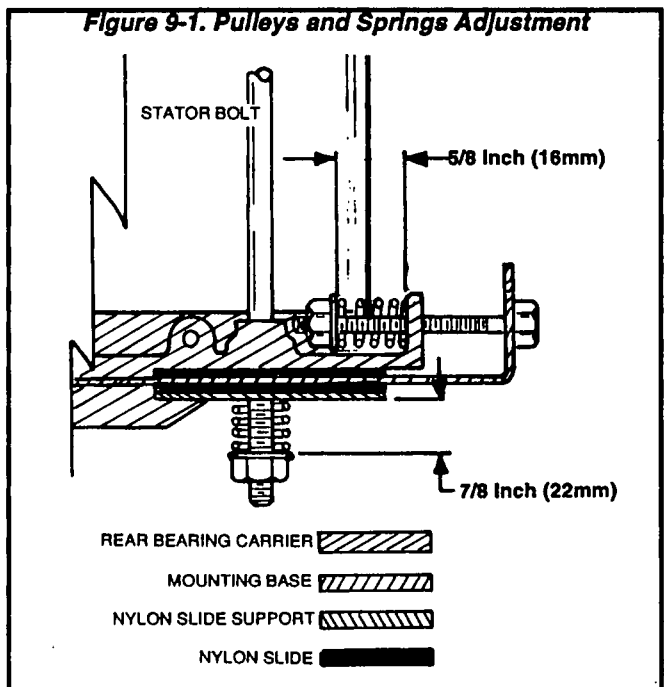
Figure 9-5 shows the engine-generator MOUNTING BASE (Item 1). The engine-generator PULLEYS (Items 21 and 22) include blowers which operate in a BLOWER HOUSING (Item 30) to move air and fumes downward and away from the unit. A SLIDE PAN (Item 50) provides needed air and exhaust openings and acts as a "floor" for the unit.

Drive belt tension is adjusted by means of two (2) BELT TENSIONING SPRINGS (Item 12), CAPSCREWS (Item 11), SPRING WASHERS (Item 13) and FLANGED LOCK NUTS (Item 10). Turning the two CAPSCREWS (Item 11) moves the generator's lower bearing carrier axially on NYLON SLIDES (Item 14) and changes the tension on the DRIVE BELT (Item 23).

The generator's lower bearing carrier is retained to the mounting base by four (4) SPRINGS (Item 34).

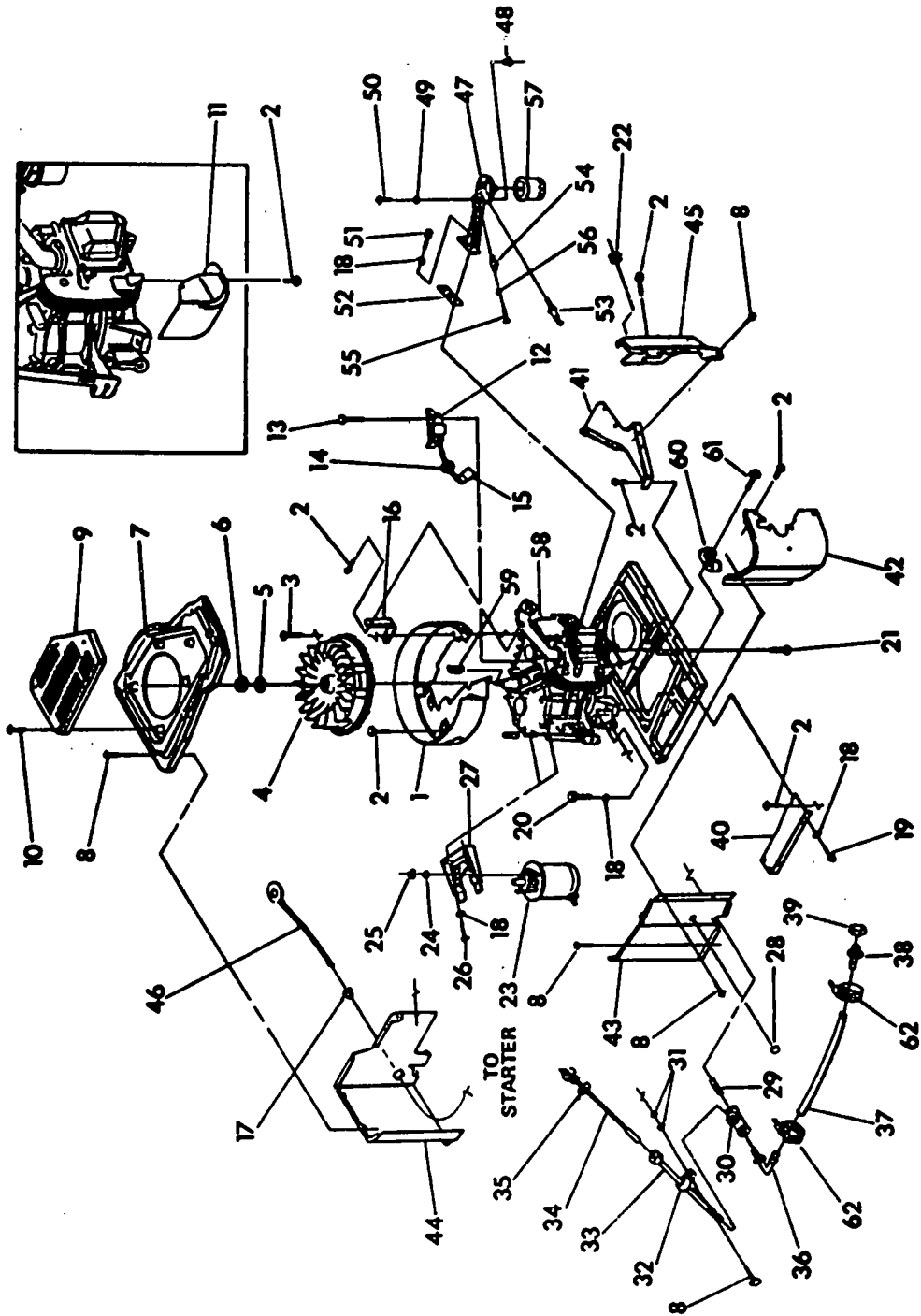
See Figure 9-1, below. To adjust belt tension, turn the two adjusting bolts until the compressed length of the two springs is 5/8 inch (16mm).

To adjust the tension of the four lower bearing carrier springs, turn the adjusting bolts to obtain a compressed spring length of 7/8 inch (22mm).



# Chapter Nine- ASSEMBLY (1-CYLINDER ENGINE UNITS)

Figure 9-2. Sheet Metal & Engine Accessories (Drawing No. 94108)



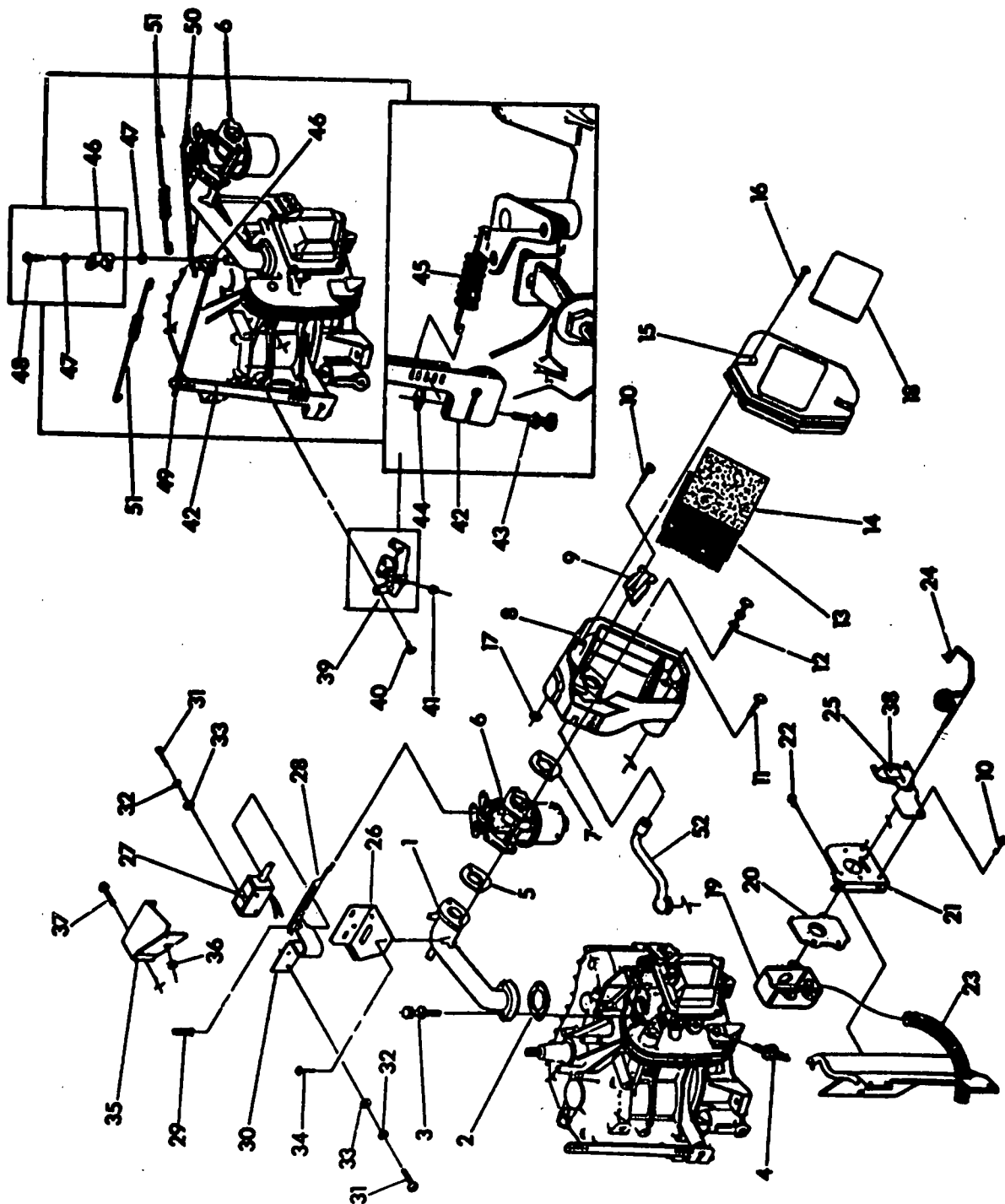
# Chapter Nine- ASSEMBLY (1-CYLINDER ENGINE UNITS)

## Parts List for Figure 9-2 (Drawing No. 94108)

ITEM	QTY	DESCRIPTION	ITEM	QTY	DESCRIPTION
1	1	Flywheel Scroll	32	1	Vinyl Coated Clamp
2	7	M6-1.00 x 10mm Screw	33	1	Dipstick Tube
3	1	M6-1.00 x 12mm Screw	34	1	Oil Cap and Dipstick
4	1	Flywheel	35	1	O-Ring
5	1	M20 Belleville Washer	36	1	3/8" Elbow
6	1	M20-1.50 Nut	37	1	3/8" NPT Hose
7	1	Engine Top Cover	38	1	Barbed Fitting
8	20	No. 10-24 x 1/2" Screw	39	1	1/4" NPT Cap
9	1	Air Inlet Cover	40	1	Starter Side Cover
10	5	No. 8 x 1/4" Screw	41	1	Carburetor Side Cover
11	1	Exhaust Port Deflector	42	1	Engine Spark Plug Wrapper
12	1	Ignition Coil	43	1	Starter Side Wrapper
13	2	M6-1.00 x 25mm Screw	44	1	Rear Gear Case Wrapper
14	1	Rubber Grommet	45	1	Carburetor Side Wrapper
15	1	Spark Plug Boot	46	1	Starter Cable
16	1	Intake Manifold Support Bracket	47	1	Oil Filter Support
17	1	Rubber Grommet	48	1	Rubber Bushing
18	8	Lockwasher	49	1	Rubber Washer
19	2	M8-1.25 x 15mm Capscrew	50	1	M6 x 15mm Shoulder Bolt
20	2	M8-1.25 x 40mm Capscrew	51	2	M8-1.25 x 30mm Socket
21	2	3/8"-16 x 3/4" Screw			Head Capscrew
22	1	Rubber Grommet	52	1	Oil Filter Support Gasket
23	1	Starter Motor	53	1	Low Oil Pressure Switch
24	2	1/4" Lockwasher	54	1	High Oil Temperature Switch
25	2	1/4"-20 Hex Nut	55	2	M3-0.50 x 5mm Screw
26	2	M8-1.25 x 20mm Capscrew	56	2	M3 Lockwasher
27	1	Starter Mounting Bracket	57	1	Oil Filter
28	1	Plug Button	58	1	GN360 Engine
29	1	3/8" NPT Nipple	59	1	Woodruff Key
30	1	3/8" NPT Pipe Tee	60	1	Hose Retainer Clip
31	2	Flatwasher	61	1	M5-0.80 x 10mm Screw
			62	2	Hose Clamp

# Chapter Nine- ASSEMBLY (1-CYLINDER ENGINE UNITS)

Figure 9-3. Exploded View of Air Cleaner, Carburetor and Choke (Drawing No. 92200)



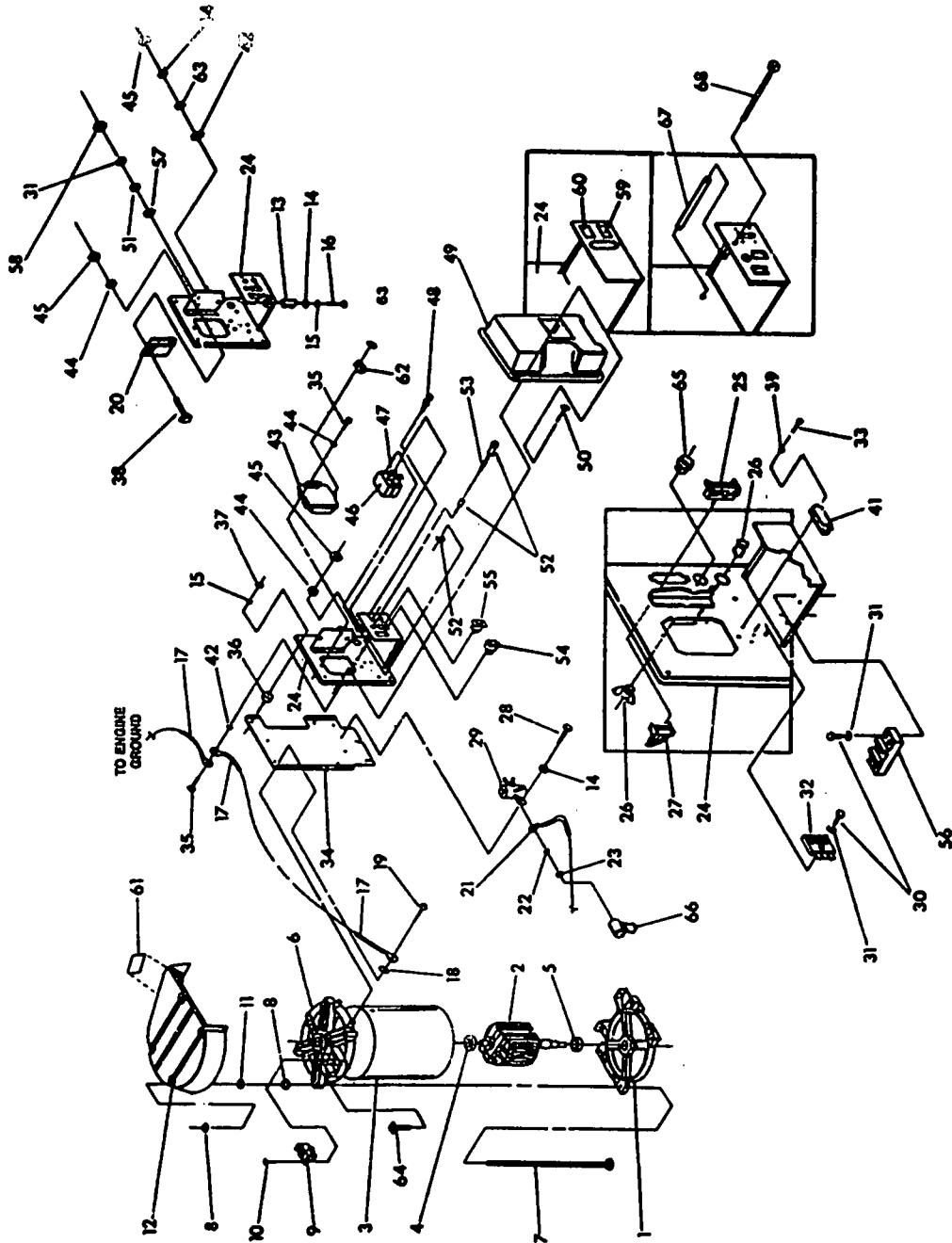
# Chapter Nine- ASSEMBLY (1-CYLINDER ENGINE UNITS)

## Parts List for Figure 9-3 (Drawing No. 92200)

ITEM	QTY	DESCRIPTION	ITEM	QTY	DESCRIPTION
1	1	Intake Manifold	27	1	Choke Solenoid
2	1	Manifold Head Gasket	28	1	Choke Linkage
3	2	M6-1.00 x 20mm Capscrew	29	1	Cotter Pin
4	1	Spark Plug (Champion RC12YC)	30	1	Choke Heater Assembly
5	1	Carburetor-Manifold Gasket	31	4	No. 4-40 Screw
6	1	Carburetor	32	4	No. 4 Lockwasher
7	1	Carburetor-Air Cleaner Gasket	33	4	No. 4 Flatwasher
8	1	Air Cleaner Base	34	2	M5 x 10mm Screw
9	1	Carburetor Shield	35	1	Choke Cover
10	4	No. 8 x 3/8" Screw (Plastite)	36	1	Rubber Grommet
11	1	M6 x 12mm Capscrew (w/Lockwasher)	37	1	No. 8 x 3/8" Screw
12	2	Carburetor Mounting Bolt	38	1	Summer/Winter Decal
13	1	Air Cleaner	39	1	Governor Spring Adjust Bracket
14	1	Air Cleaner Pre-Filter	40	2	M8 x 15mm Screw
15	1	Air Cleaner Cover	41	1	M5-0.80 Lock Nut
16	2	Air Cleaner Cover Bolt	42	1	Governor Arm Lever
17	2	M6-1.00 Hex Nut	43	1	M6 x 30mm Capscrew (w/Lockwasher)
18	1	Air Cleaner Data Decal	44	1	M8 Nut (Special)
19	1	Heat Riser Box	45	1	Governor Spring
20	1	Heat Riser Box Gasket	46	1	Governor Rod Bell Crank
21	1	Air Cleaner Support Bracket	47	2	Felt Washer
22	2	M6-1.00 x 10mm Screw	48	1	M6 x 15mm Shoulder Bolt
23	1	Heat Riser Tube	49	1	Governor Lever to Bell Crank Rod
24	1	Winter/Summer Lever	50	1	Bell Crank to Carburetor Rod
25	1	Summer/Winter Valve Guide Plate	51	2	Governor Lever-Bell Crank Spring
26	1	Choke Bracket	52	1	Breather Tube

# Chapter Nine- ASSEMBLY (1-CYLINDER ENGINE UNITS)

Figure 9-4. Exploded View of Generator & Control Panel (Drawing No. 94106)



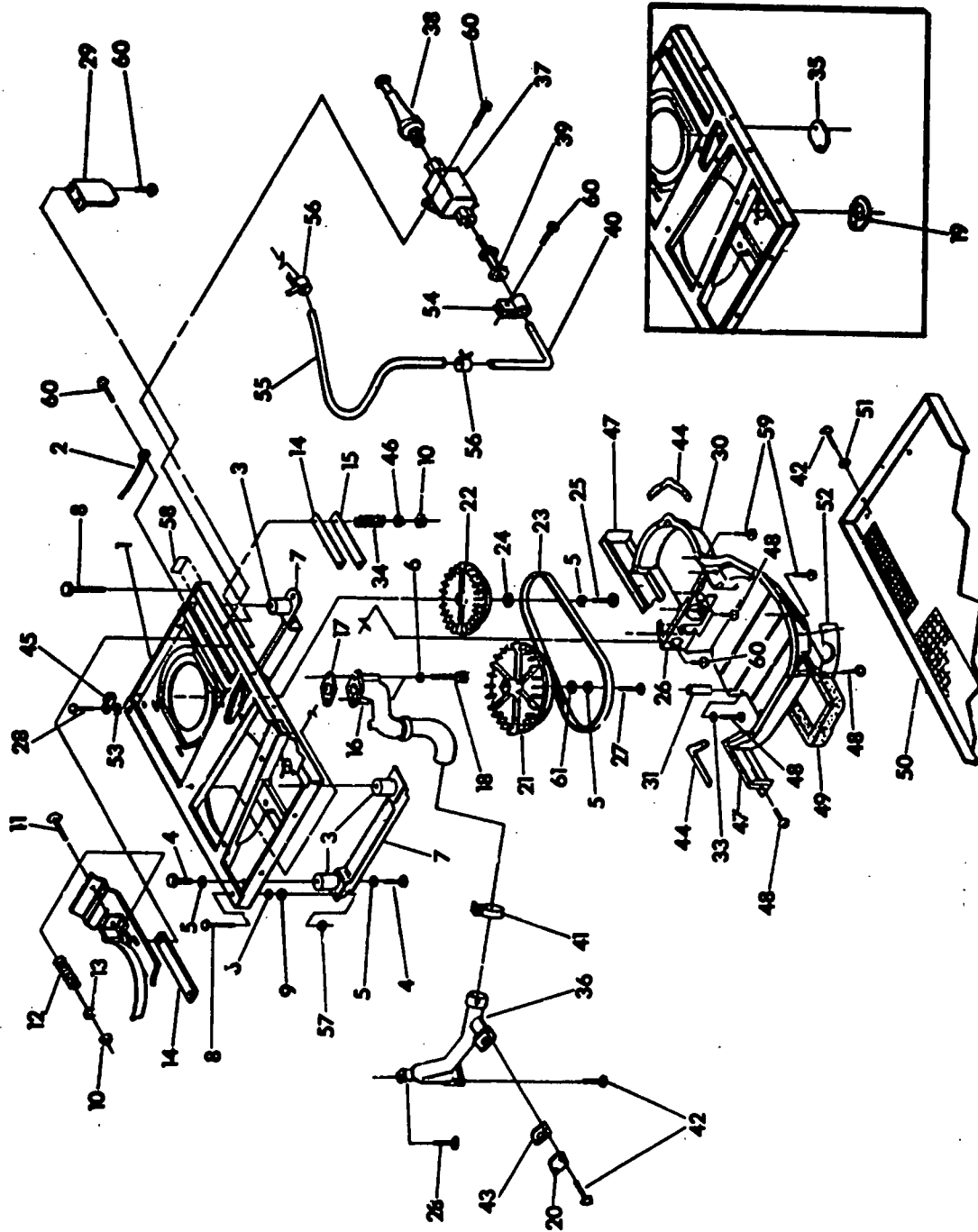
# Chapter Nine- ASSEMBLY (1-CYLINDER ENGINE UNITS)

## Parts List for Figure 9-4 (Drawing No. 94106)

ITEM	QTY	DESCRIPTION	ITEM	QTY	DESCRIPTION
1	1	Lower Bearing Carrier	35	3	M5-0.80 x 30mm Capscrew
2	1	Rotor Assembly	36	4	Vibration Mount
3	1	Stator Assembly	37	4	M6-1.00 Hex Nut
4	1	Ball Bearing	38	1	M5-0.80 x 16mm Capscrew
5	1	Ball Bearing	39	2	M3 Lockwasher
6	1	Upper Bearing Carrier	41	1	Excitation Circuit Breaker
7	4	Stator Stud	42	2	M5 Washer
8	8	M8-1.25 Flanged Lock Nut	43	1	Voltage Regulator
9	1	Brush Holder	44	6	M5 Lockwasher
10	2	M5-0.80 x 16mm Screw	45	4	M5-0.80 Hex Nut
11	4	Nylon Washer	46	1	Main Circuit Breaker
12	1	Generator Top Housing	47	1	Main Circuit Breaker
13	1	Resistor	48	4	No. 6-32 Screw (w/Lockwasher)
14	3	M6 Flatwasher	49	1	Panel Cover
15	5	M6 Lockwasher	50	4	M4-0.70 x 16mm Screw (w/Lockwasher & Flatwasher)
16	1	M6-1.00 x 60mm Capscrew	51	1	M4 Flatwasher
17	2	Ground Wire	52	1	Fuse Holder
18	1	Lockwasher	53	1	15 amp Fuse
19	4	M6-1.00 x 20mm Screw	54	1	Start-Stop Switch (SPDT)
20	1	Engine Controller Circuit Board	55	1	Fuel Primer Switch (SPDT)
21	1	Starter Cable	56	1	Terminal Block
22	2	5/16" Lockwasher	57	1	M4 Lockwasher
23	2	5/16"-18 Hex Nut	58	1	M4-0.70 Hex Nut
24	1	Panel Sheet Metal	59	1	Circuit Breaker Rating Decal (30A)
25	1	4-Tab Connector	60	1	Circuit Breaker Rating Decal (20A)
26	1	Connector	61	1	Customer Connection decal
27	1	Remote Harness	62	1	Hose Clamp
28	2	M6-1.00 x 12mm Capscrew	63	1	M5 Flatwasher
29	1	Starter Contactor	64	1	M5 x 10mm Screw
30	3	M4-0.70 x 16mm Capscrew	65	1	Bushing
31	4	M4 Lockwasher	66	1	Battery Cable Boot
32	1	Battery Charge Rectifier	67	1	Plastic Spacer
33	2	M3-0.50 x 15mm Capscrew	68	1	M6-0.80 x 110mm Pan Head Machine Screw
34	1	Panel Support Bracket			

# Chapter Nine- ASSEMBLY (1-CYLINDER ENGINE UNITS)

Figure 9-5. Exploded View of Base & Pulleys (Drawing No. 92197)





# Chapter Nine- ASSEMBLY (1-CYLINDER ENGINE UNITS)

## Parts List for Figure 9-5 (Drawing No. 92197)

ITEM	QTY	DESCRIPTION	ITEM	QTY	DESCRIPTION
1	1	Mounting Base	31	1	Blower Housing Spacer
2	1	Ground Cable	32	1	M6 Lockwasher
3	4	Rubber Mount	33	1	M5-0.80 x 80mm Capscrew
4	8	3/8"-16 x 1/2" Capscrew	34	4	Generator Set Mounting Spring
5	10	M10 Lockwasher	35	1	Exhaust Cover Plate
6	4	M8 Lockwasher	36	1	Universal Exhaust Adapter
7	2	Rubber Mount Skid	37	1	Fuel Pump
8	2	5/16"-18 x 3-1/2" Safety Bolt	38	1	Fuel Filter
9	2	5/16"-18 Hex Nut	39	1	Fitting (1/8" Pipe to 1/4" Tube)
10	6	M8-1.25 Flanged Lock Nut	40	1	Fuel Tube
11	2	M8-1.25 x 60mm Capscrew	41	1	Exhaust Pipe Clamp
12	2	Belt Tensioning Spring	42	8	M6-1.00 x 16mm Capscrew (Includes Lockwasher)
13	2	Spring Centering Washer	43	1	Exhaust Pipe Gasket
14	4	Nylon Slide	44	10 ft.	Foam Tape
15	2	Nylon Slide Support	45	1	Grounding Lug
16	1	Exhaust Manifold	46	4	Spring Retainer Washer
17	1	Exhaust Manifold Gasket	47	1	Air Opening Cover
18	2	M8-1.25 x 65mm Socket Head Capscrew	48	11	No. 10-24 x 1/2" Screw
19	1	Collector Pan Gasket	49	1	Slide Pan Foam Gasket
20	1	External Cover Plate	50	1	Slide Pan
21	1	Engine Pulley	51	4	M8 Flatwasher
22	1	Generator Pulley	52	1	Exhaust Outlet Cover
23	1	Drive Belt	53	2	M6 Lockwasher
24	1	Pulley Retainer Washer	54	2	Vinyl Coated Clamp
25	1	3/8"-24 x 2-1/2" Socket Head Capscrew	55	1	Fuel Hose
26	1	Blower Housing Guide	56	2	Hose Clamp
27	1	3/8"-24 x 2-1/2" Capscrew	57	2	5/16"-18 Flanged Nut
28	2	M6-1.00 x 20mm Screw	58	1	Grounding Decal
29	1	Fuel Pump Bracket	59	9	M5-0.80 x 10mm Screw
30	1	Fitting (1/8" Pipe to 1/4" Tube)	60	6	M6-1.00 x 10mm Screw
			61	1	M10 Flatwasher

# Chapter Nine- ASSEMBLY (1-CYLINDER ENGINE UNITS)

# Chapter Ten- ELECTRICAL DATA

## Nominal Resistance of Rotor and Stator Windings In OHMS at 68° F. (20° C.)

UNIT RATED WATTS	5000	5200	5500	6600	7000	7200
<b>STATOR EXCITATION (DPE) WINDINGS</b> (Wires 2 and 6)	1.43	1.43	1.43	1.60	1.55	1.55
<b>STATOR POWER WINDINGS</b> Wires 11P to 22P Wires 33 to 44	0.29	0.29	0.29	0.23	0.21	0.21
<b>STATOR BATTERY CHARGE WINDINGS</b> Wires 55 to 66 Wires 55 to 77	0.09	0.09	0.09	0.07	0.07	0.07
<b>ROTOR WINDINGS</b> Across the Slip Rings	15.5	15.5	15.5	10.81	11.3	11.3

### Electrical Formulas

DESIRED DATA	1-PHASE	3-PHASE
KILOWATTS (Generator output or Load Input)	$\frac{\text{Volts} \times \text{Amps} \times \text{P. F.}}{1000}$	$\frac{1.73 \times \text{Volts} \times \text{Amps} \times \text{P. F.}}{1000}$
KVA (Generator output or Load Input)	$\frac{\text{Volts} \times \text{Amps}}{1000}$	$\frac{1.73 \times \text{Volts} \times \text{Amps}}{1000}$
HORSEPOWER (Engine Output)	$\frac{\text{Volts} \times \text{Amps} \times 100 \times \text{P. F.}}{746 \times \text{Efficiency}}$	$\frac{1.73 \times \text{Volts} \times \text{Amps} \times 100 \times \text{P. F.}}{746 \times \text{Efficiency}}$
AMPERES (When Horsepower is known)	$\frac{\text{H. P.} \times 746 \times \text{Efficiency}}{\text{Volts} \times 100 \times \text{P. F.}}$	$\frac{\text{H. P.} \times 746 \times \text{Efficiency}}{1.73 \times \text{Volts} \times 100 \times \text{P. F.}}$
AMPERES (When Kilowatts are known)	$\frac{\text{Kilowatts} \times 1000}{\text{Volts} \times \text{P. F.}}$	$\frac{\text{Kilowatts} \times 1000}{1.73 \times \text{Volts} \times \text{P. F.}}$
AMPERES (When KVA is known)	$\frac{\text{kVA} \times 1000}{\text{Volts}}$	$\frac{\text{kVA} \times 1000}{1.73 \times \text{Volts}}$
FREQUENCY	$\frac{\text{RPM} \times \text{No. of Rotor Poles}}{2 \times 60}$	$\frac{\text{RPM} \times \text{No. of Rotor Poles}}{2 \times 60}$
NO. OF ROTOR POLES	$\frac{2 \times 60 \times \text{Frequency}}{\text{RPM}}$	$\frac{2 \times 60 \times \text{Frequency}}{\text{RPM}}$
RPM	$\frac{2 \times 60 \times \text{Frequency}}{\text{No. of Rotor Poles}}$	$\frac{2 \times 60 \times \text{Frequency}}{\text{No. of Rotor Poles}}$

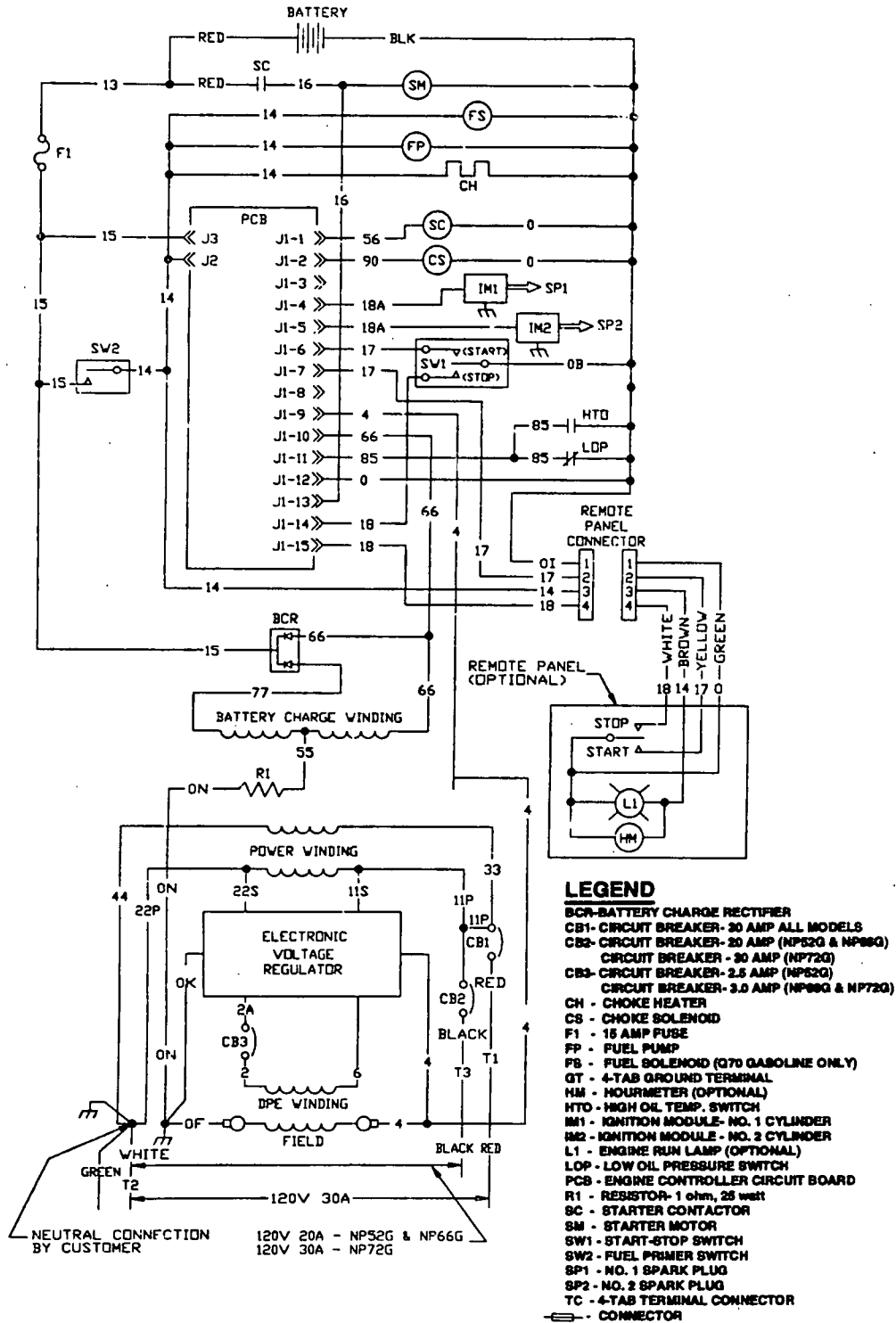
1. Efficiency in the above formulas is expressed in percent, such as "95%".

2. P. F. is "Power Factor" and is generally 1.0 (Unity) for 1-phase units; 0.8 for 3-phase units.

3. "Volts" refers to line-to-line measurement.

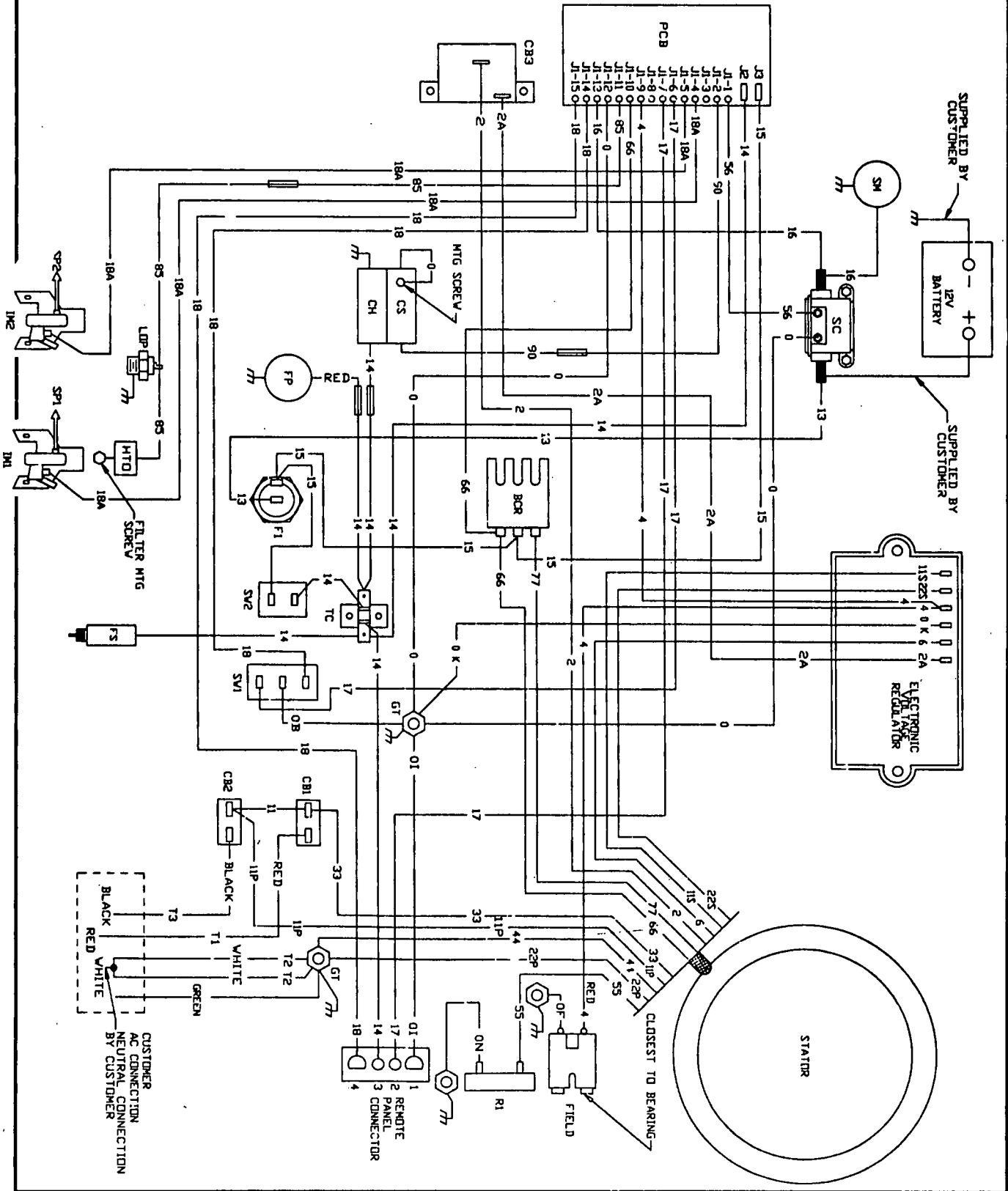
# Chapter Ten- ELECTRICAL DATA

**Figure 10-1. Electrical Schematic (Drawing No. 89405)  
For Generator Models 9202-1, 9203-1, 9204-1, 9205-1, 9206-1, 9207-1**



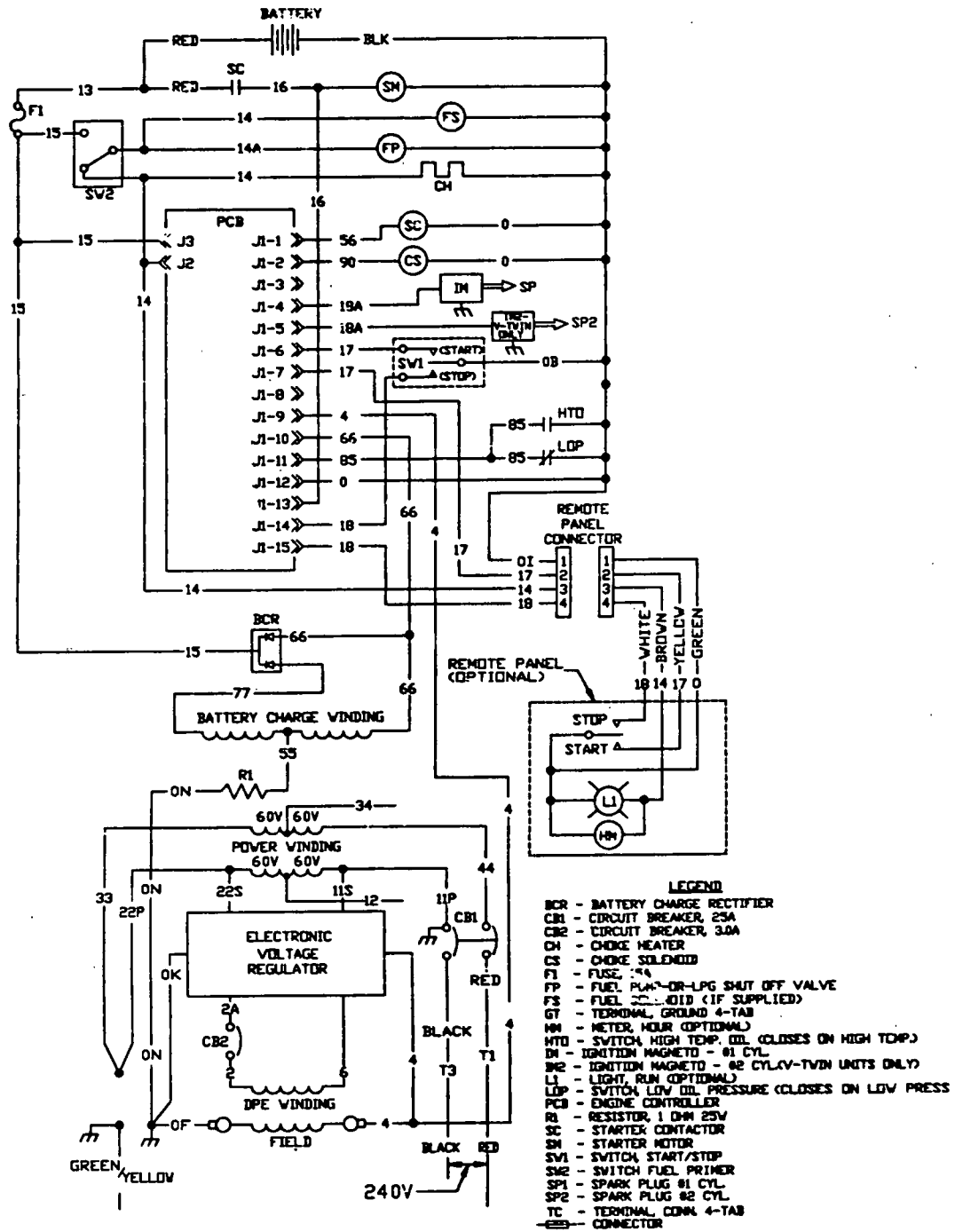
# Chapter Ten- ELECTRICAL DATA

**Figure 10-2. Wiring Diagram (Drawing No. 89405)  
For Generator Models 9202-1, 9203-1, 9204-1, 9205-1, 9206-1, 9207-1**



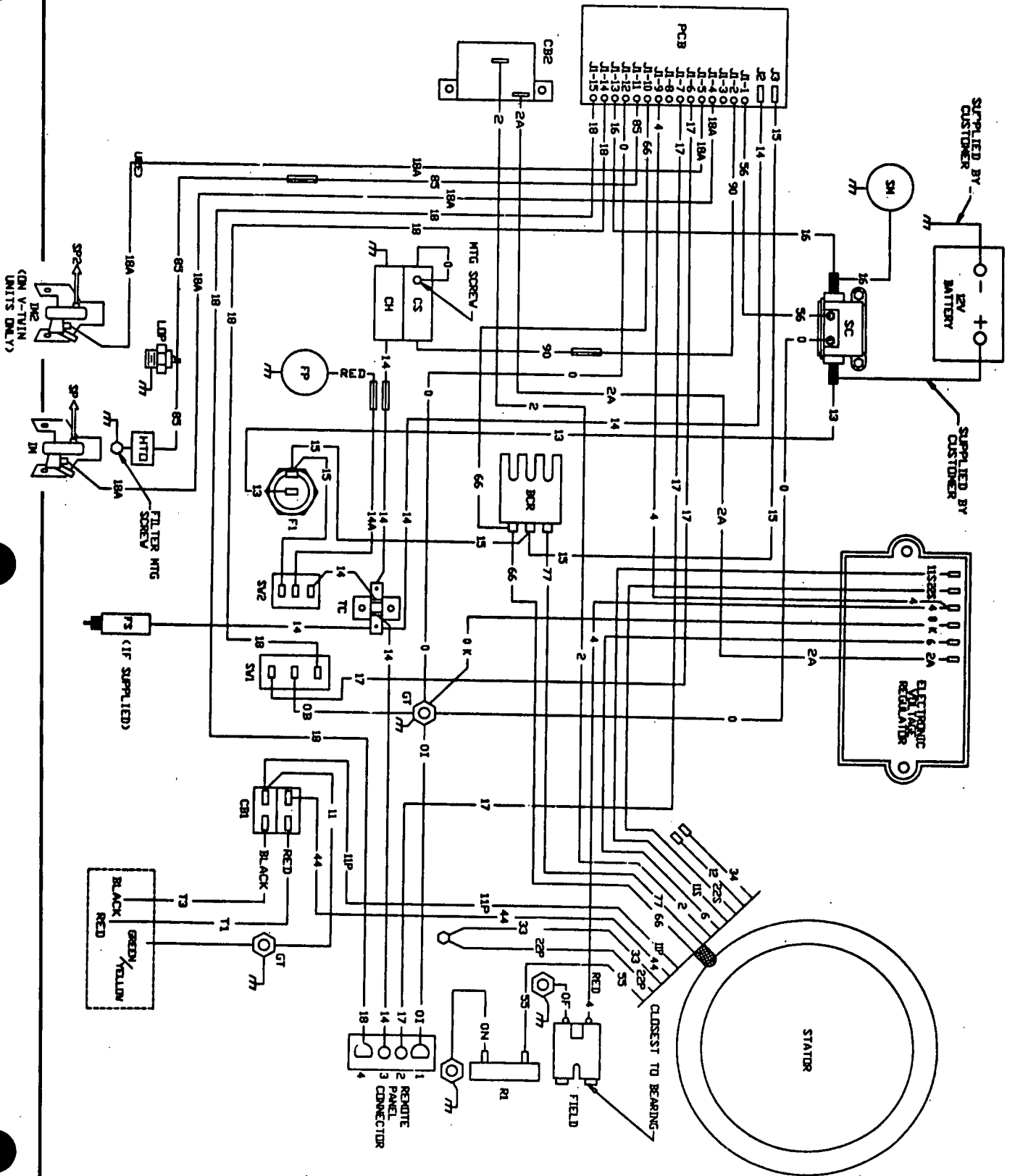
# Chapter Ten- ELECTRICAL DATA

Figure 10-3. Electrical Schematic (Drawing No. 93924)  
For Generator Model No. 9290-2



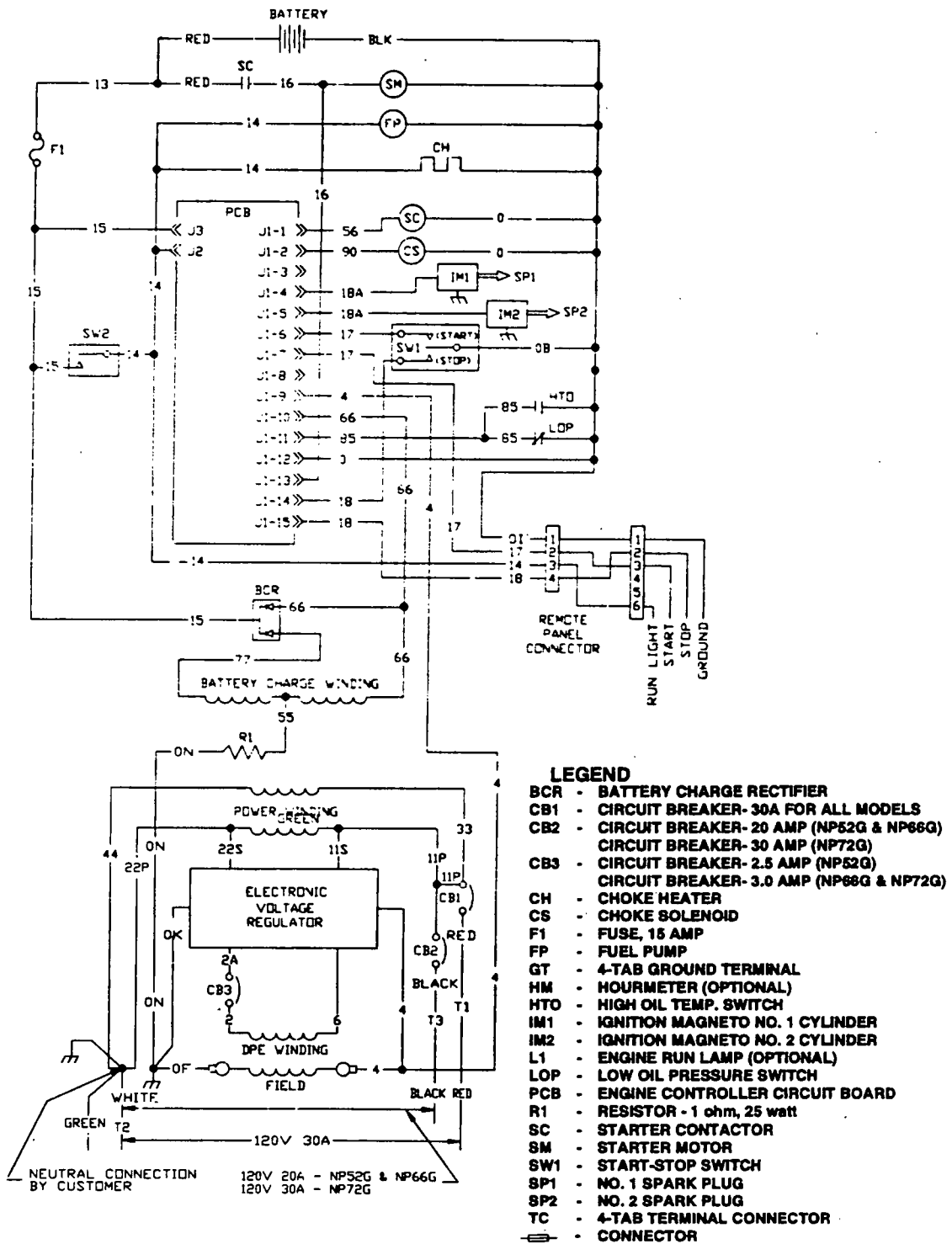
# Chapter Ten- ELECTRICAL DATA

Figure 10-4. Wiring Diagram (Drawing No. 93924)  
For Generator Model No. 9290-2



# Chapter Ten- ELECTRICAL DATA

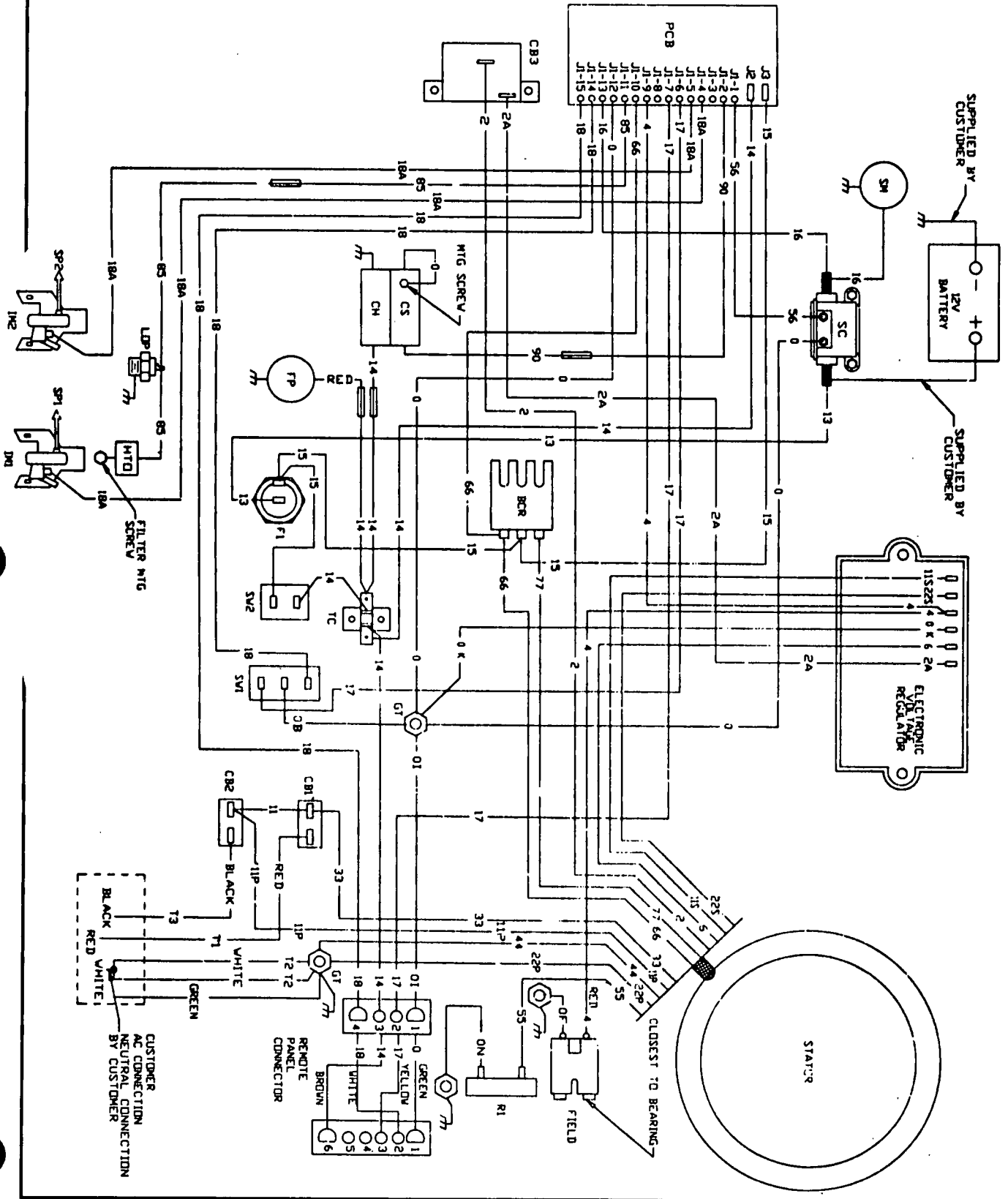
**Figure 10-5. Electrical Schematic (Drawing No. 90206)  
For Generator Model No. 9509-2**





# Chapter Ten- ELECTRICAL DATA

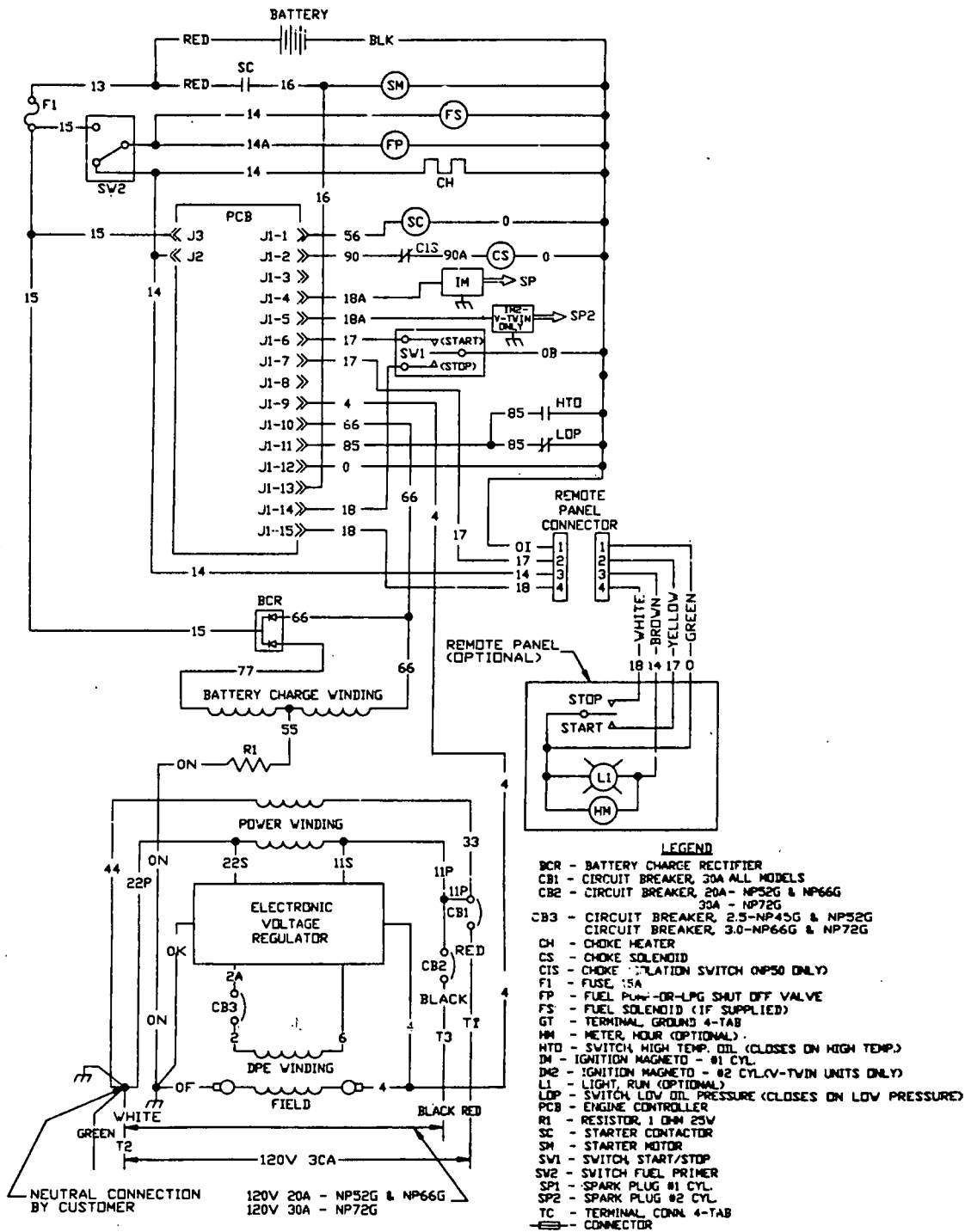
Figure 10-6. Wiring Diagram (Drawing No. 90206)  
For Generator Model No. 9509-2



# Chapter Ten- ELECTRICAL DATA

Figure 10-7. Electrical Schematic (Drawing No. 92116)

For Generator Models 9592-1, 9592-2, 9593-0, 9593-1, 9593-2, 9600-0, 9600-1, 9600-2, 9677-1, 9677-2, 9677-3, 9677-4, 9712-0, 9712-1, 9734-1, 9735-1, 9736-1



# Chapter Ten- ELECTRICAL DATA

Figure 10-8. Wiring Diagram (Drawing No. 92116)  
For Generator Models same as Figure 10-7

