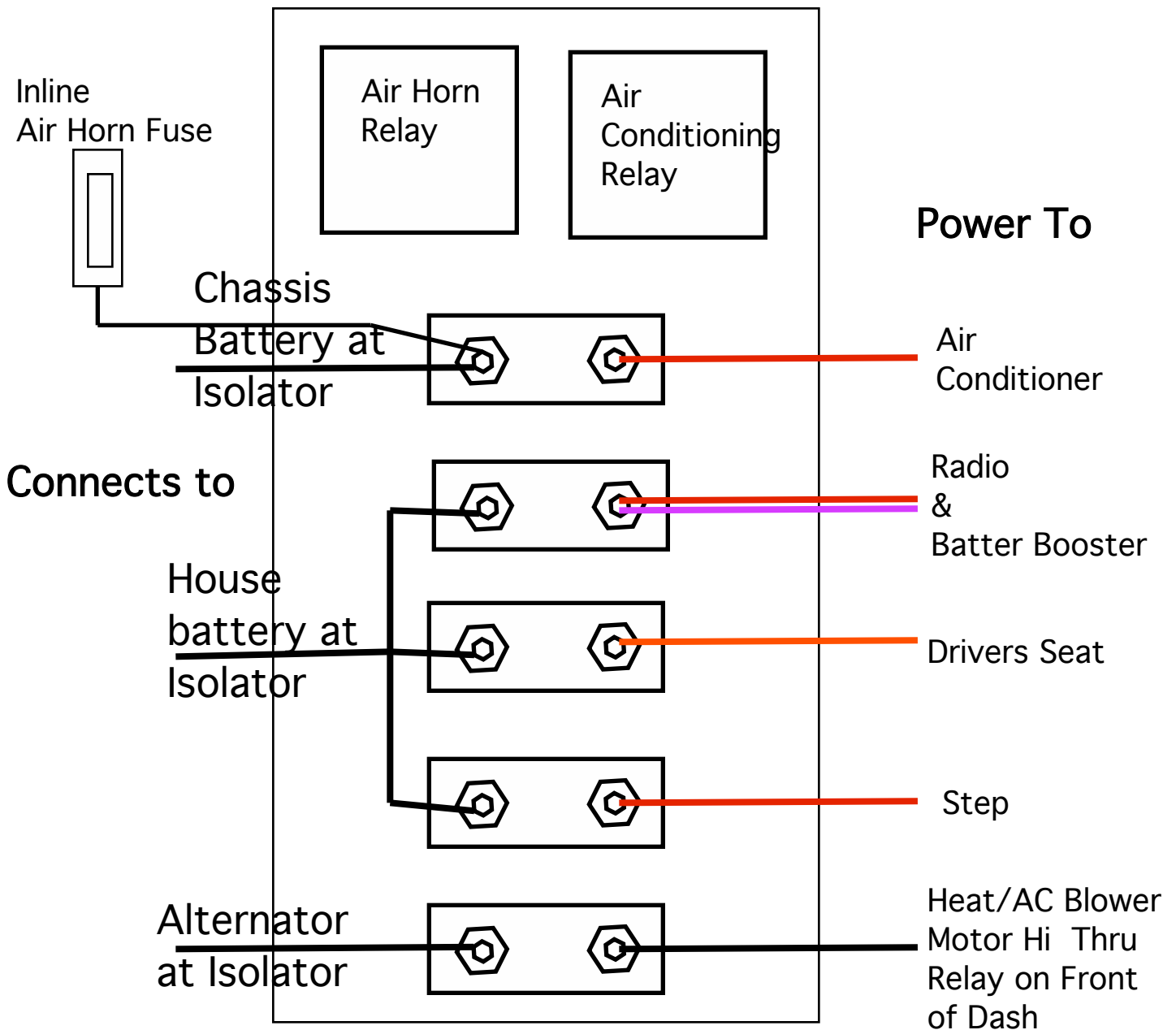


Isuzu Circuit Breakers and Relays 1993 2400



Note; Blower Hi is fed from alternator through relay while other blower speeds are fed from ignition switch

This panel is under the hood on the right side of the vehicle