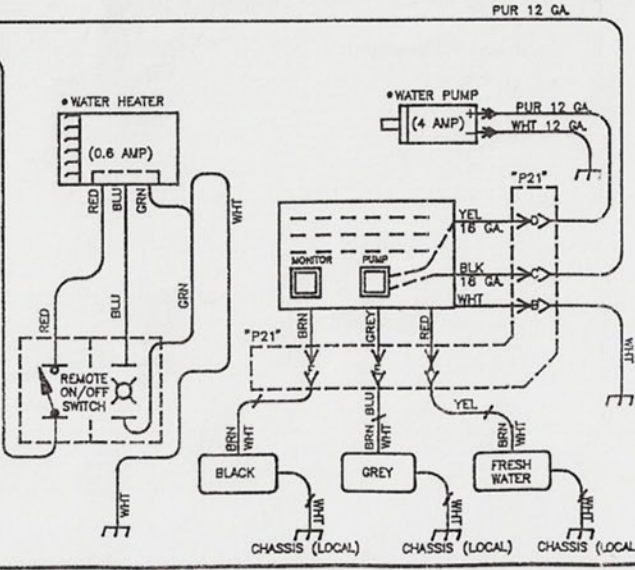
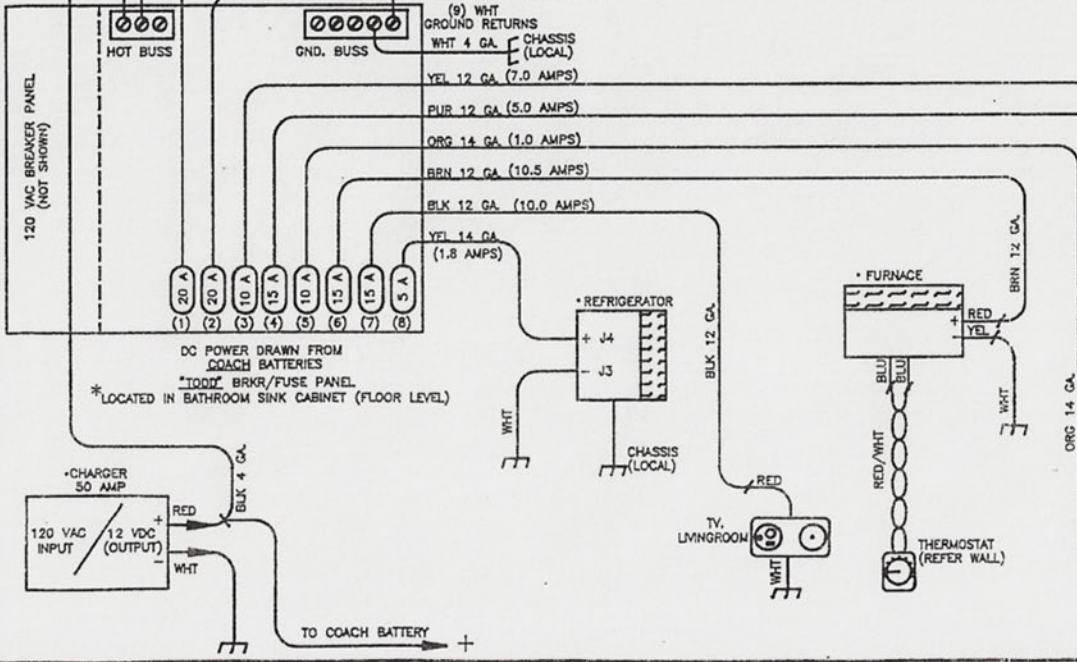
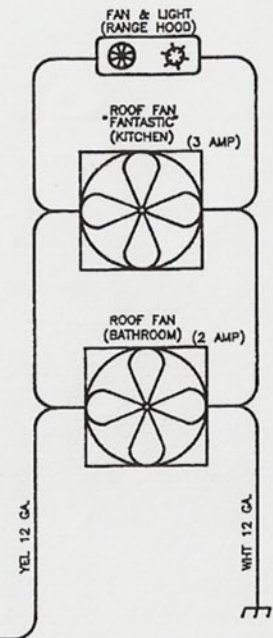
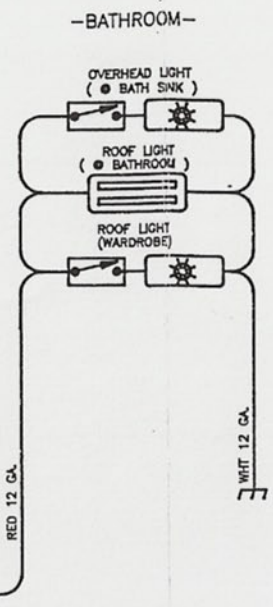
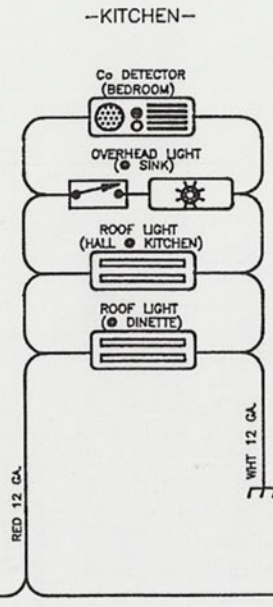
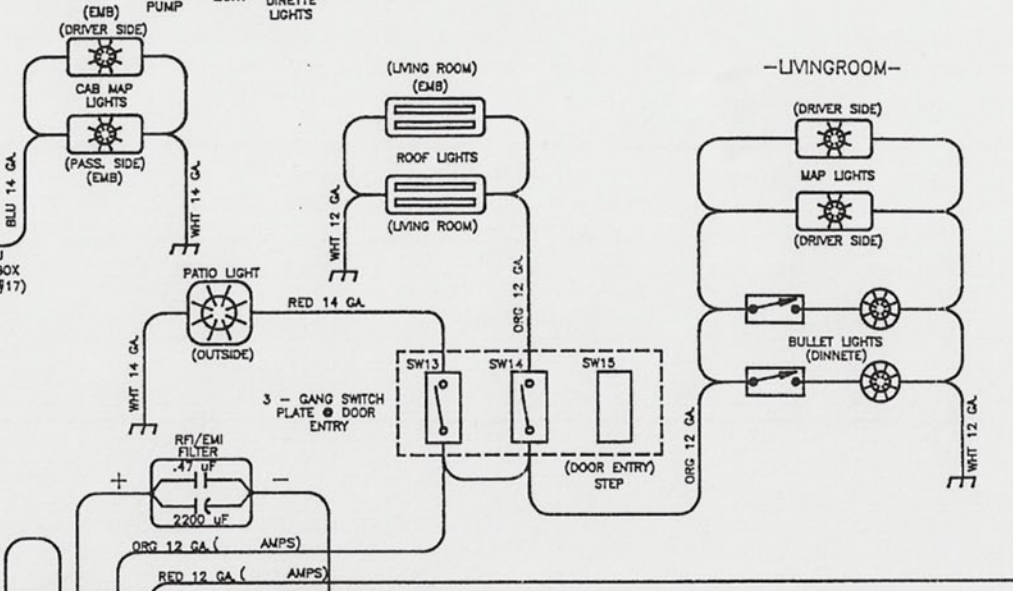
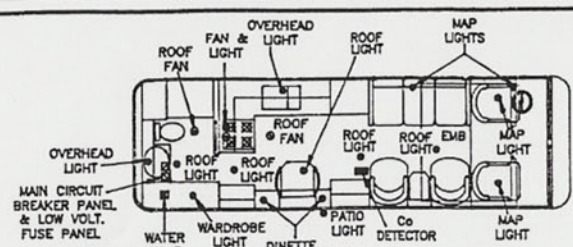


APPLIANCE	MAKE & MODEL NO.	DC CURRENT	CIRCUIT NO.
1. REFRIGERATOR	NORCOLD #682	1.8 AMPS	#8
2. FURNACE	SUBURBAN S#42 / 42,000 BTU	10.5 AMPS	#6
3. WATER HEATER	SUBURBAN VDS-10-3 / 10 GAL.	1.0 AMP	#5
4. WATER PUMP	FLOJET 4406 *QUAD DIAPHRAGM	3.9 AMPS	#4
5. FANTASTIC (FAN)	FANTASTIC 4000BT	2.5 AMPS	#3



- NOTE**
- UNLESS NOTED,  $\uparrow$  ARE NOT LOCAL GROUNDS BUT ARE RETURNS TO GND. BUSS IN A FUSE PANEL.
  - UNLESS SHOWN, ON/OFF SWITCHES ARE PART OF THE DEVICE.
  - / IS A WIRE NUT OR BUTT SPLICE.
  - WHT GROUND RETURN WIRE ARE TO BE SAME SIZE AS SUPPLY WIRE.

REV.	DATE	WHO	DESCRIPTION
C	01-17-94	CLP	CURRENT REVISION
B	05-02-91	R.S.	WIRE TO NEW WIRE PANEL & TO W.C. BRKR. WIRE FROM FUSE PANEL TO NEW PANEL. IN THIS FUSE
A	01-10-91	R.S.	MOVE RANGE HOOD FROM RED WIRE RUN TO YELLOW WIRE RUN
<b>SAFARI MOTOR COACHES, INC.</b>			
BEDROOM BRKR./FUSE PANEL 12 VOLTS COMPONENT DIAGRAM			
SCALE	NONE	DRAWN BY	DATE 01-17-94
1994 2400 TREK / E.M.B./PATH		DRAWN BY	DATE
DESIGN MKP		CLP	E1821-94