

Supplement to ME and MS Series Operator's Manual

Notes on Changes

This supplement provides information on the ME2000 and MS2000. The ME2000 is a new model of the ME Series family and has been specifically developed to meet the operational requirements of OEM applications. The ME2000 includes two versions, the ME2000 and ME2000-20B which includes two 20 amp output breakers.

The MS2000 is a new model of the MS Series family and is designed to add variety to the pure-sine wave product line. Both the ME2000 and MS2000 models should be installed as described in the operators' manuals except for the AC wiring which is described below.

AC Installation

The ME2000 (-20B) and MS2000 models use wire leads to connect to the system's AC wiring. View the following figures to correctly install your unit.



Warning: Prior to the installation, read the ME Series or MS Series Operator's Manual depending on your inverter model and pay particular attention to all safety information. Installing these units without being aware of all safety precautions may cause harm to personnel and/or equipment.

ME2000 / MS2000 AC Wiring

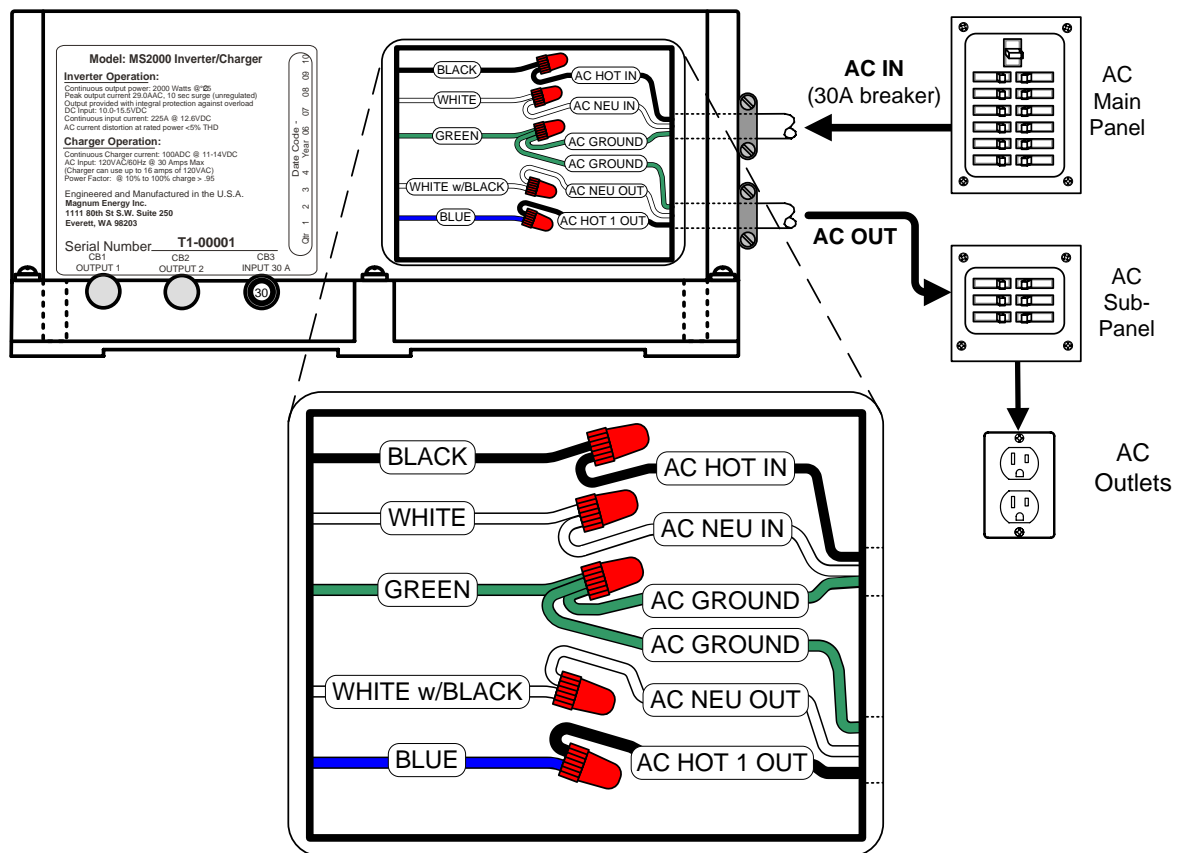


Figure 1, AC Wiring for the ME2000 and MS2000

ME2000-20B AC Wiring

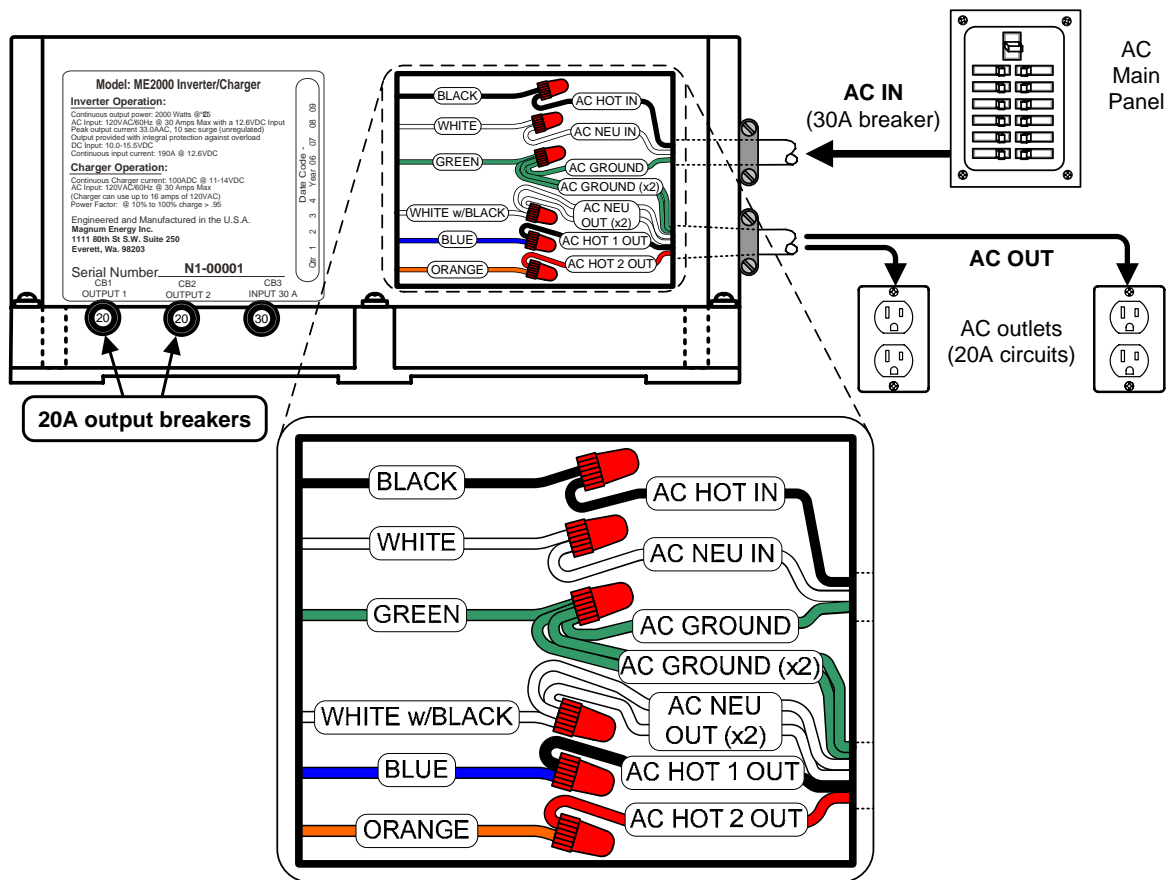


Figure 2, AC Wiring for the ME2000-20B

Specifications:

Model	ME2000 (-20B)	MS2000
	Inverter Operation	
Continuous Output Power:	2000 watts @ 25°C	2000 watts @ 25°C
Continuous Input current:	190A @ 12.6VDC	225A @ 12.6VDC
Peak Output Current:	33.0 AAC, 10 sec surge (unregulated)	29.0 AAC, 10 sec surge (unregulated)
DC Input:	10-16 VDC	10-17 VDC
	Charger Operation	
Continuous Charger Current:	100ADC @ 11-14VDC	100ADC @ 11-14VDC
AC Input:	120VAC/60Hz @ 30 Amps Max (Charger can use up to 16 amps of 120VAC)	120VAC/60Hz @ 30 Amps Max (Charger can use up to 16 amps of 120VAC)
Power Factor:	>0.95	>0.95